

# VW3620 Power Module

## Installation Guide

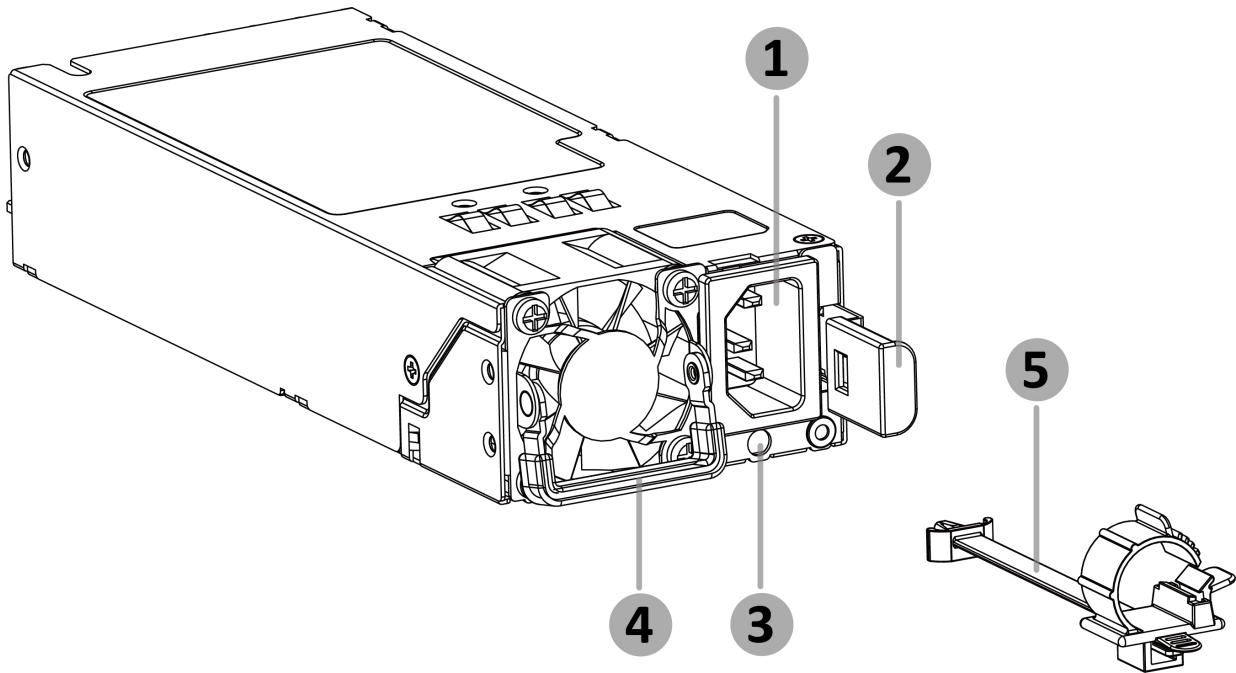


MISC10000065 03/2024 V1.0

### Package Contents

Qty	Description
1	VW3620 power module
1	cable strap
1	user instructions

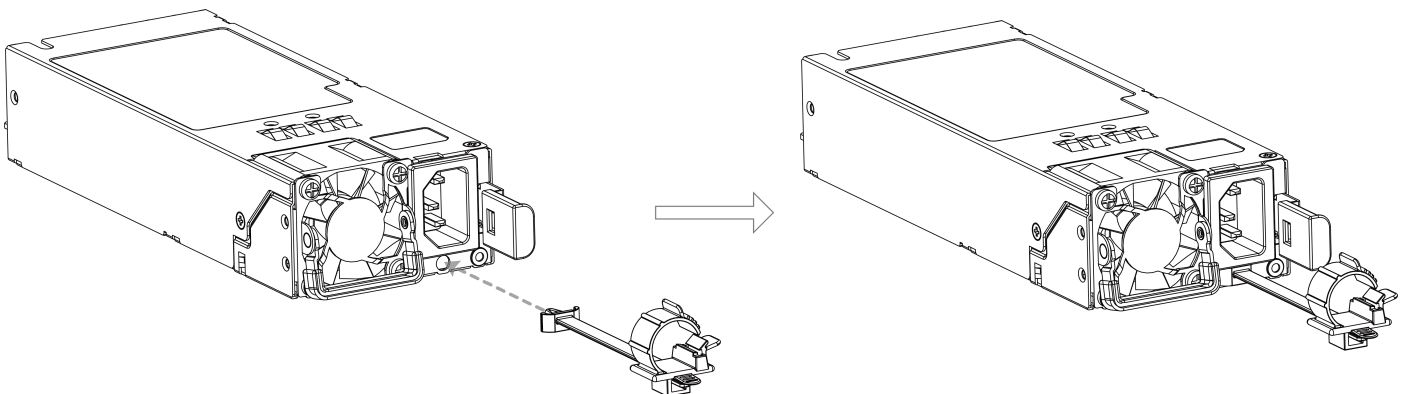
### Hardware Overview



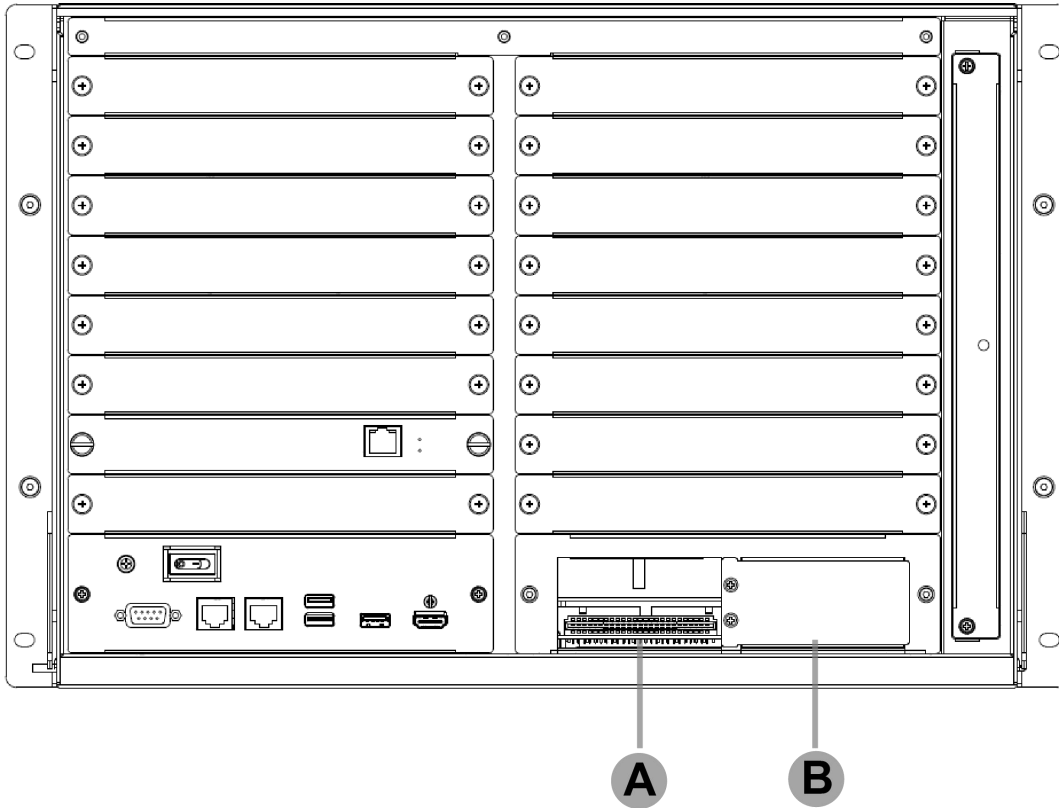
1. 3 prong socket
2. power module release lever
3. strap mounting hole
4. power module handle
5. cable strap

### Installing Power Module to the VW3620 Video Wall Processor

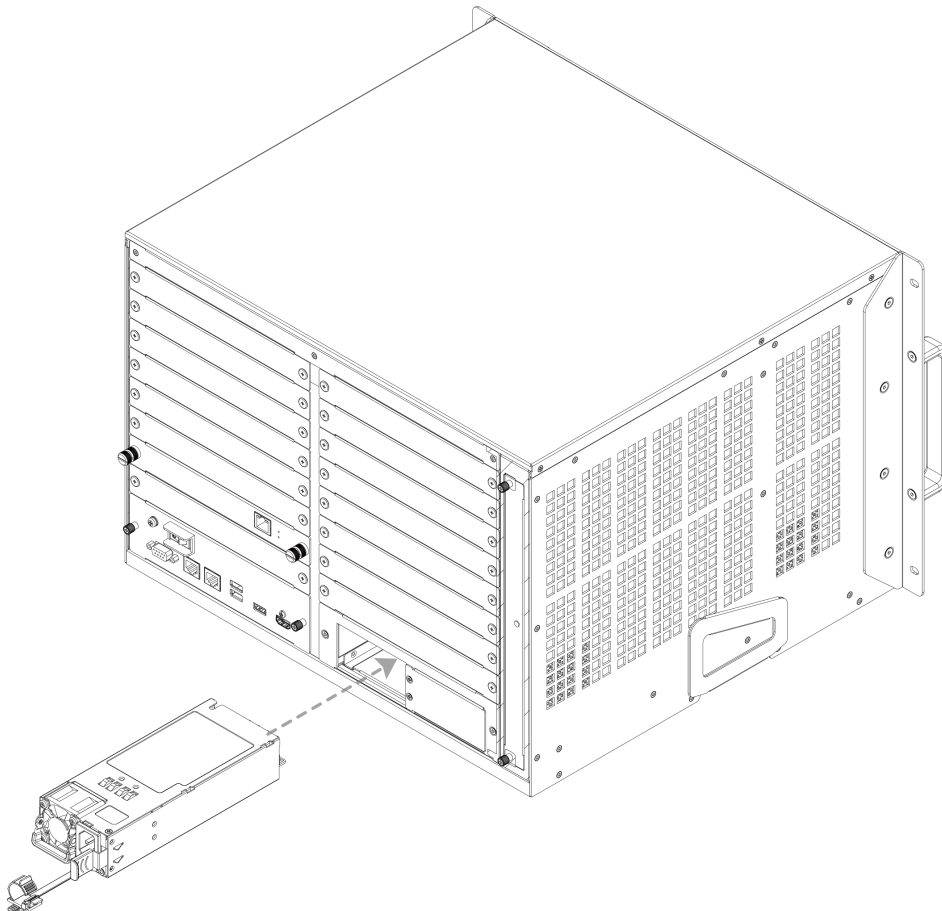
1. Attach the cable strap to the power module by inserting it into the strap mounting hole.



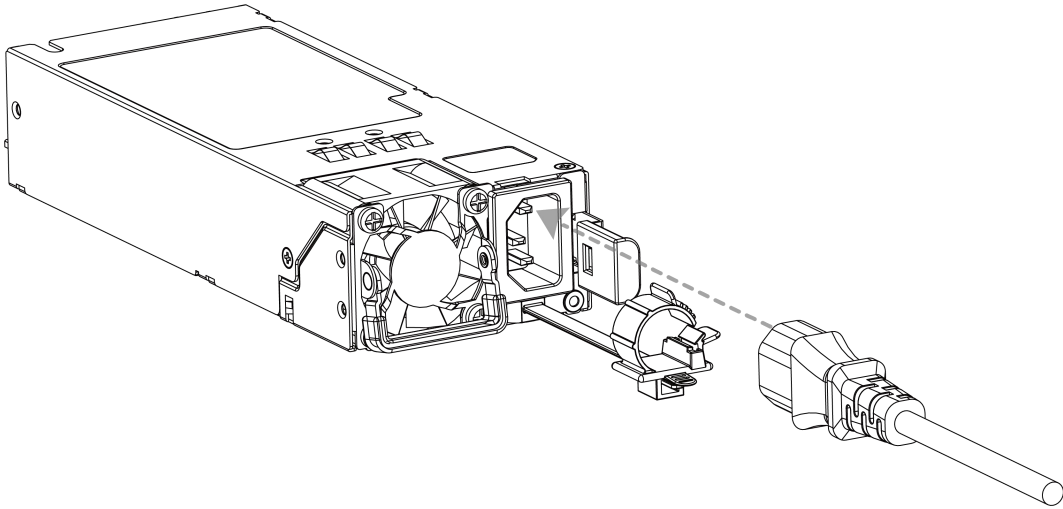
2. Install the power module to a power slot on the rear side of the VW3620 video wall processor:
  - A) To install the power module to the primary power slot, follow the description as step 3 instructs.
  - B) To install the power module to the redundant power slot, remove the slot cover first.



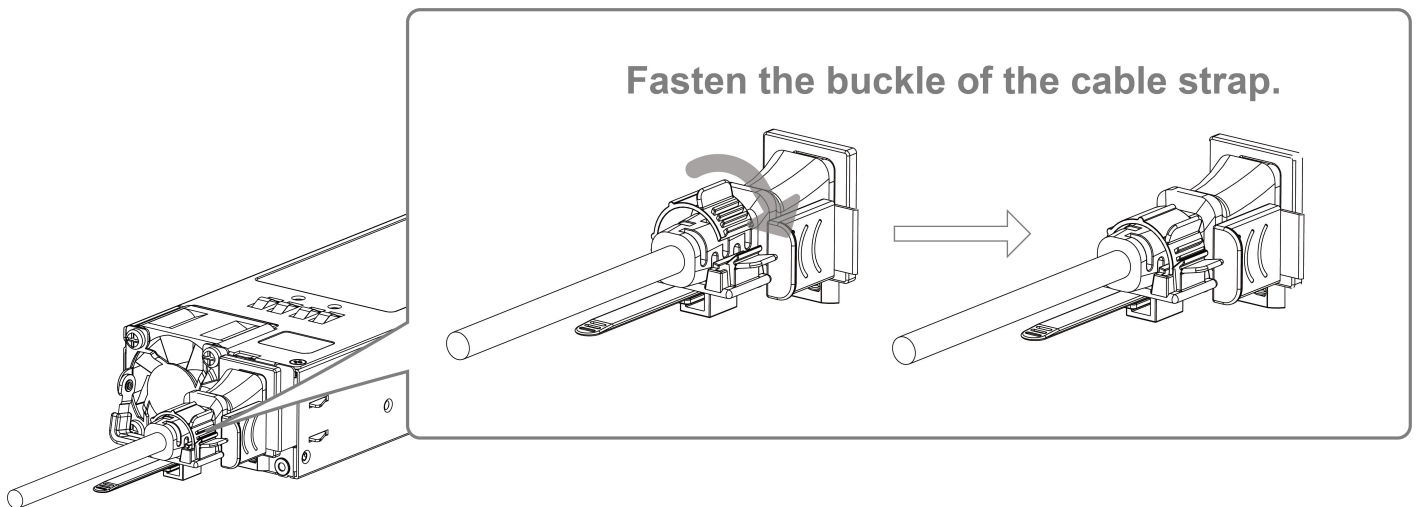
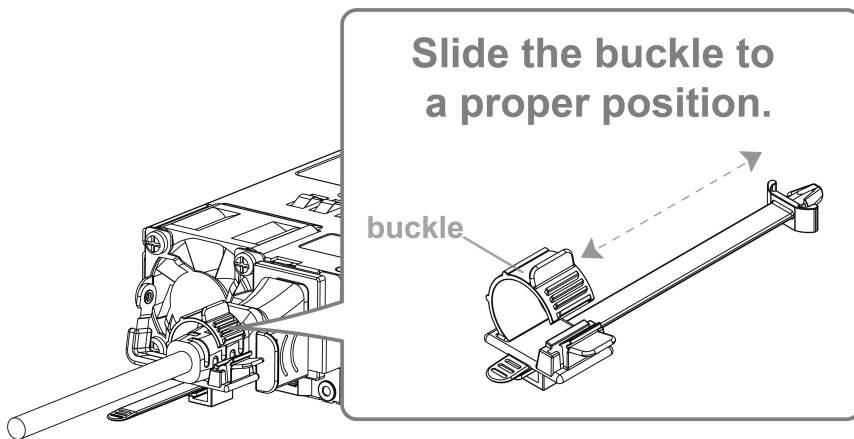
3. Slide the power module to the power slot. A click sound is made once the power module is properly installed.



4. Plug the power cord into the 3 prong socket of the power module.



5. Secure the power cord by moving the buckle to the strain relief side of the power cord.



## Adjusting the Cable Strap

1. To loosen the buckle of the cable strap, press the buckle detach lever to unlock the buckle.
2. To adjust the position of the buckle, push down on the locking release lever and move the buckle toward or backward to your preferred position.

