

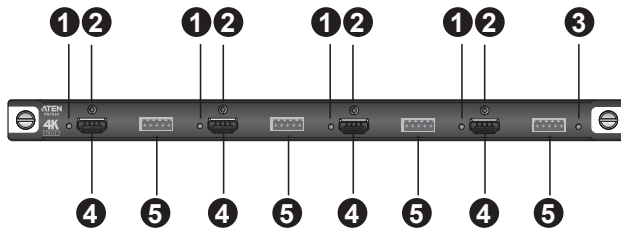
VM7824 / VM8824

4-Port True 4K HDMI Input Board / Output Board Quick Start Guide

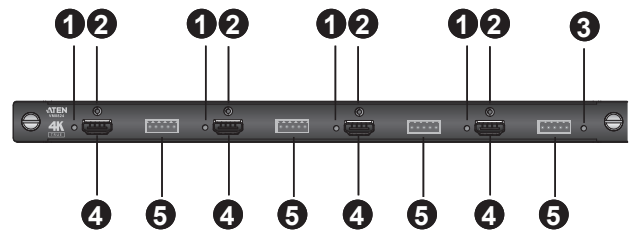
Package Contents

- 1 VM7824 4-Port True 4K HDMI Input Board or VM8824 4-Port True 4K HDMI Output Board
- 4 Terminal Blocks
- 1 User Instructions

VM7824 Front View



VM8824 Front View



Hardware Review

VM7824 Panel View

1. Link LEDs
2. ATEN LockPro™ Screws
3. Status LED
4. HDMI Input Ports
5. Audio Input Ports

VM8824 Panel View

1. Link LEDs
2. ATEN LockPro™ Screws
3. Status LED
4. HDMI Output Ports
5. Audio Output Ports

Hardware Setup

I/O Board Installation

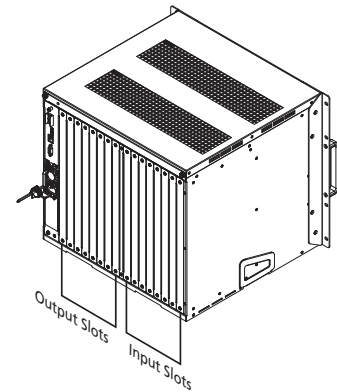
Follow the steps below to safely install the VM7824 / VM8824 to a supporting Modular Matrix Switch. For a list of the supported Modular Matrix Switch, visit the VM7824/VM8824 product web pages.

Note: The VM3250 is used as an example in the instructions below.

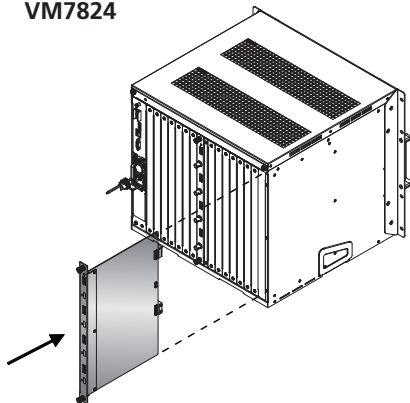
1. Power off the Modular Matrix Switch.

Note: The VM7824/VM8824 cards are hot-swappable.

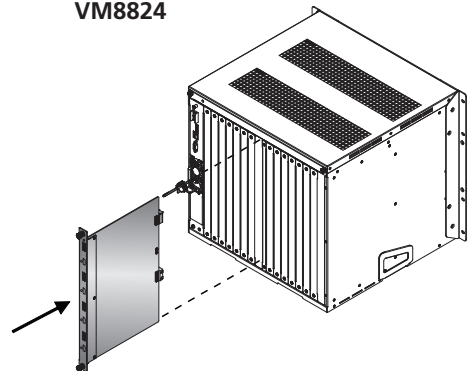
2. On the rear of the Modular Matrix Switch, unscrew the Phillips head screws for one input slot (right) and one output slot (left), and then remove back panel covers.
3. Slide the VM7824 into the input board slot, and the VM8824 into the output slot. Make sure they secure in place.



VM7824



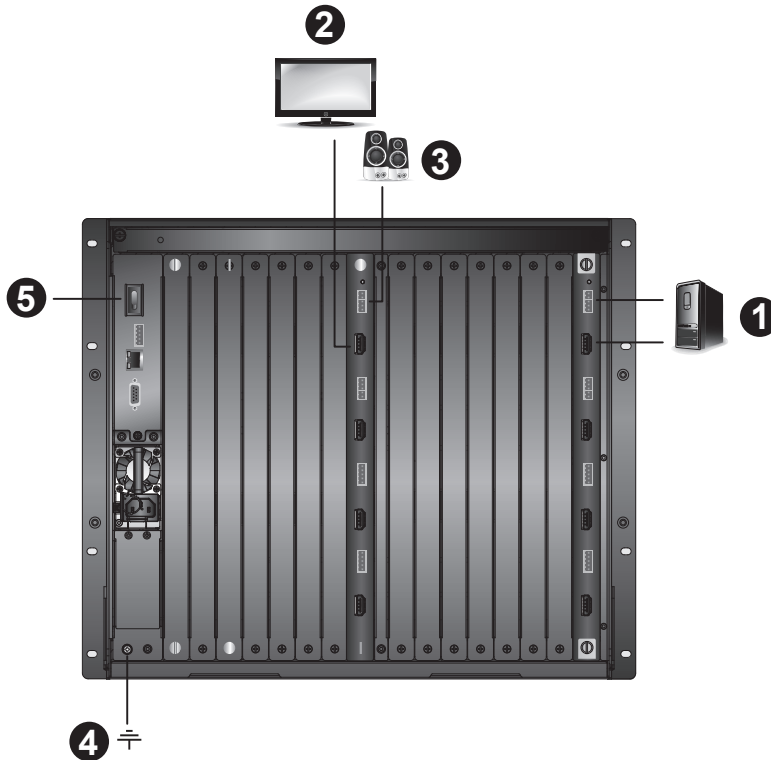
VM8824



4. Tighten the screws to secure the input and output boards to the Modular Matrix Switch.
5. To install more I/O boards, repeat steps 2 to 4.
6. Proceed to the next section to install sources and displays.

Source and Display Device Installation

1. Connect one or more AV source devices to the HDMI and Audio Input ports of the VM7824.
2. Connect one or more display devices to the HDMI Output ports of the VM8824.
3. Connect one or more speakers or audio output devices to the Audio Output ports of the VM8824.
4. Make sure to ground the Modular Matrix Switch and all the devices in the installation.
5. Power on the Modular Matrix Switch and all the devices in the installation.



Support and Documentation Notice

All information, documentation, firmware, software utilities, and specifications contained in this package are subject to change without prior notification by the manufacturer.

To reduce the environmental impact of our products, ATEN documentation and software can be found online at

<http://www.aten.com/download/>

Technical Support

www.aten.com/support



Scan for more information



EMC Information

FEDERAL COMMUNICATIONS COMMISSION INTERFERENCE STATEMENT:

This equipment has been tested and found to comply with the limits for a Class A digital device, pursuant to Part 15 of the FCC Rules. These limits are designed to provide reasonable protection against harmful interference when the equipment is operated in a commercial environment. This equipment generates, uses, and can radiate radio frequency energy and, if not installed and used in accordance with the instruction manual, may cause harmful interference to radio communications. Operation of this equipment in a residential area is likely to cause harmful interference in which case the user will be required to correct the interference at his own expense.

FCC Caution: Any changes or modifications not expressly approved by the party responsible for compliance could void the user's authority to operate this equipment.

Warning: Operation of this equipment in a residential environment could cause radio interference.

This device complies with Part 15 of the FCC Rules. Operation is subject to the following two conditions: (1) this device may not cause harmful interference, and (2) this device must accept any interference received, including interference that may cause undesired operation.

이 기기는 업무용(A급) 전자파적합기기로서 판매자 또는 사용자는 이 점을 주의하시기 바라며, 가정외의 지역에서 사용하는 것을 목적으로 합니다.

© Copyright 2019 ATEN® International Co., Ltd.

ATEN and the ATEN logo are trademarks of ATEN International Co., Ltd. All rights reserved. All other trademarks are the property of their respective owners.

This product is RoHS compliant.