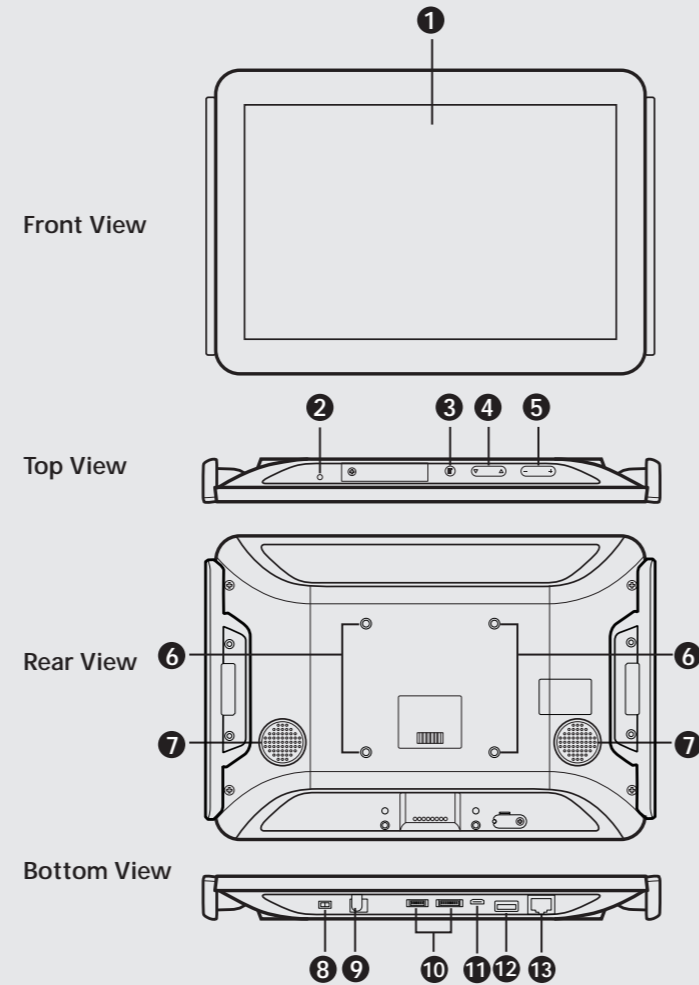
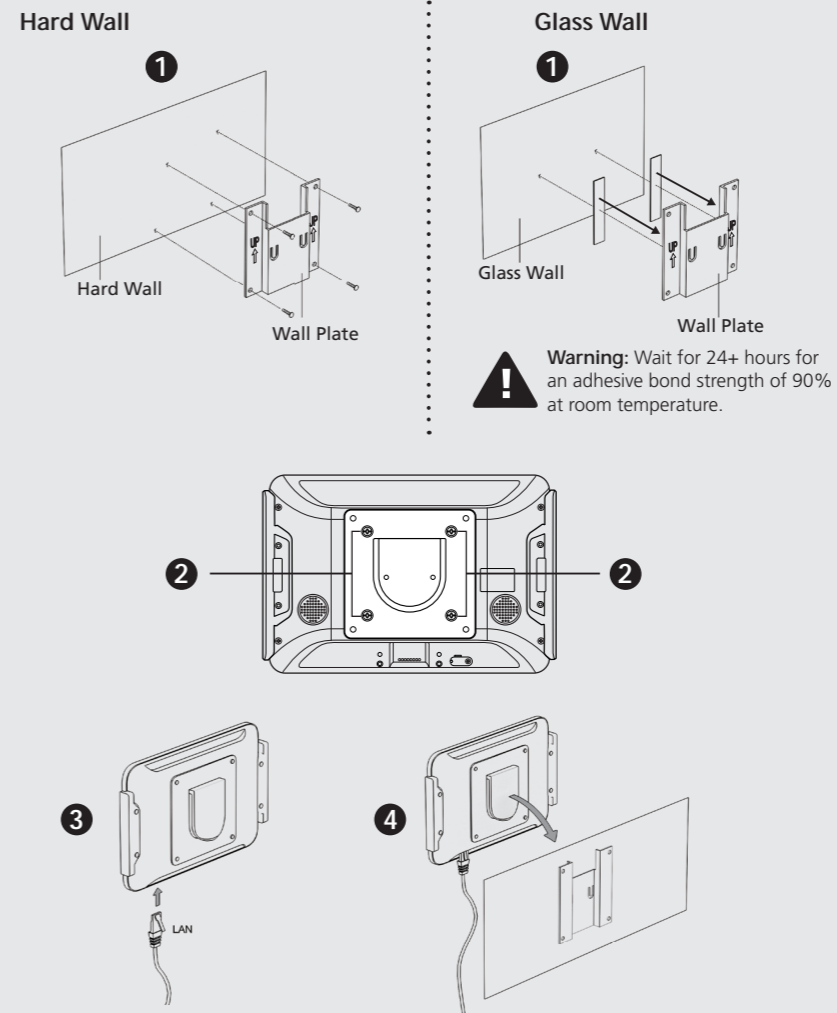


## A Hardware Overview



## B Installation



### Package Contents

- 1 VK430 10.1" RBS Panel with
- 2 LED light bars
- 1 wall mount kit
- 2 3M glass mount tape
- 1 90° RJ-45 cable adapter
- 1 user instructions

### Support and Documentation Notice

All information, documentation, firmware, software utilities, and specifications contained in this package are subject to change without prior notification by the manufacturer. To reduce the environmental impact of our products, ATEN documentation and software can be found online at <http://www.aten.com/download/>

**Technical Support**  
[www.aten.com/support](http://www.aten.com/support)

### Scan for more information



## A Hardware Overview

- 1 touch screen
- 2 status LED
- 3 function button
- 4 brightness +/-
- 5 volume +/-
- 6 screw holes for panel plate
- 7 speakers
- 8 power switch
- 9 power jack
- 10 for debugging purposes only
- 11 USB Micro-B port
- 12 USB Type-A port
- 13 LAN port with PoE

## B Installation

The ATEN VK430 RBS Panel comes preinstalled with two light bars. The RBS panel is also compatible with any VESA-compliant (75 x 75 mm) mounting accessory. Follow the steps below to install and mount the RBS panel onto a wall.

- 1 Secure the wall plate onto the wall by one of the following methods depending on the wall material:
  - **Hard Wall:** Secure the wall plate onto the hard wall (with the arrows pointing upward) using the 4 Phillips head (black) screws provided. **Note:** Also use the 4 screw anchors if necessary.
  - **Glass Wall:** Stick the 2 strips of tape to the back of the wall plate, and then press the wall plate onto the glass wall, with the arrows pointing upward. **IMPORTANT:** For optimal adhesive results, make sure to firmly press the taped mounting plate against the wall for 3–5 seconds and wait for it to dry for at least 24 hours.
- 2 Secure the provided panel plate to the back of the RBS panel using the short screws provided.

- 3 Using the 90° RJ-45 cable adapter provided and an Ethernet cable, connect the RBS panel to a PoE switch / injector to provide power and access to the network.
- 4 Place the RBS panel onto the wall by sliding and attaching it to the wall plate.
- 5 Turn on the RBS panel by switching its power switch to ON.

## Device Configuration

Upon first-time setup, the unit shall be offline and not connected to a calendar server.

### Firmware Upgrades

Upgrade the RBS panel via the ATEN RBS Configurator software.

### Setting Static IP

Use one of the following methods to configure the IP address:

- Tap the **Settings** icon on the upper right corner to access the setting.
- Use ATEN RBS Configurator to find the RBS panel, and then configure the setting from the IP address field.

## Software Configuration

### Adding Setting Profiles to RBS Panel

To set up the RBS panel, use the ATEN RBS Configurator software to create the necessary setting profiles to be uploaded to the panel. To download RBS Configurator, visit the product web page by scanning the QR code above.

### Connecting the RBS Panel to Calendar Server

To connect the RBS panel to your calendar server, make sure to do the following:

- Via ATEN RBS Configurator, set up the panel's required settings, such as resource account, within its setting profile. For detailed instructions, see *ATEN Room Booking System User Manual*.
- Have the administrator of your calendar server, such as Office 365, Google Workspace, or Microsoft Exchange, to permit access to the above items.