

# Surge Protection Module EA2100

## Installation Guide



Points de collecte sur [www.quefairedesdechets.fr](http://www.quefairedesdechets.fr)  
Privilégiez la réparation ou le don de votre appareil !



MISC10000035 05/2023 V2.0

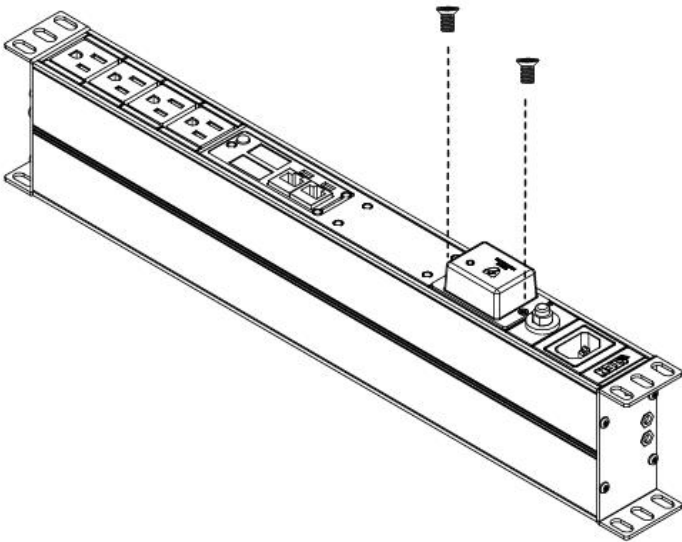
## Package Contents

EA2100	
Qty	Description
1	Surge Protection Module
1	user instructions

## Installation

To replace a surge protection module on a PDU unit, do the following:

1. Unscrew the screws to remove the surge protection module from a PDU unit. .



2. Screw the surge protection module into the PDU unit using the two screws you unscrewed in step 1.

