

# EA1340

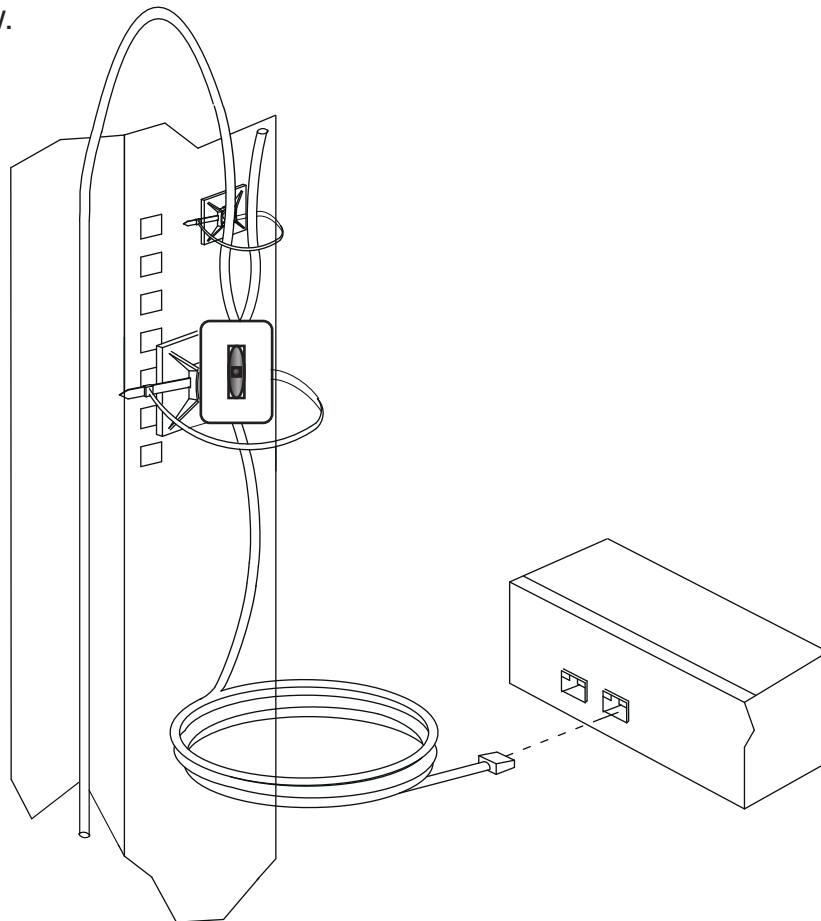
## Differential Pressure & Temperature Sensor User Guide

### Package Contents:

- 1 Differential Pressure & Temperature Sensor
- 2 Air Tubes

### Installation:

Its important that the air flow through the tubes is not restricted to ensure a proper reading, therefore be sure to secure the tubes snug but not tight. Install one tube near the middle to top section of the rack and the other at the bottom near the floor, as shown below.



#### FCC Information

This equipment has been tested and found to comply with the limits for a Class B digital device, pursuant to Part 15 of the FCC Rules. These limits are designed to provide reasonable protection against harmful interference in a residential installation. This equipment generates, uses and can radiate radio frequency energy, and if not installed and used in accordance with the instruction manual, may cause interference to radio communications. However, there is no guarantee that interference will not occur in a particular installation. If this equipment does cause harmful interference to radio or television reception, which can be determined by turning the equipment off and on, the user is encouraged to try to correct the interference by one or more of the following measures:

- Reorient or relocate the receiving antenna;
- Increase the separation between the equipment and receiver;
- Connect the equipment into an outlet on a circuit different from that which the receiver is connected;
- Consult the dealer/an experienced radio/television technician for help.



Points de collecte sur [www.quefairedemesdechets.fr](http://www.quefairedemesdechets.fr)  
Privilégiez la réparation ou le don de votre appareil !