

2XRT-0015G

KVM over IP Access Control Box

Quick Start Guide

© Copyright 2023 ATEN® International Co. Ltd.
 ATEN and the ATEN logo are registered trademarks of ATEN International Co., Ltd.
 All rights reserved. All other trademarks are the property of their respective owners.

Part No. PAPE-1223-N81G Released: 06/2023



2XRT-0015G KVM over IP Access Control Box

www.aten.com

A Hardware Review

- 1 control button / LED
- 2 USB connector
- 3 PS/2 connector
- 4 RJ-11 connector
- 5 RS-232 connector

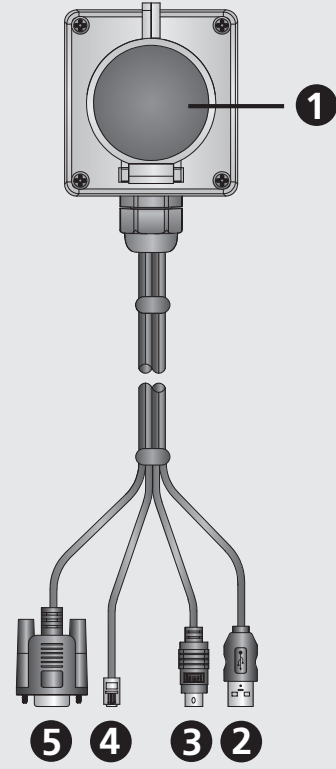
Basic Function & Compatible Devices

2XRT-0015G is a control button accessory to enable / disable remote KVM over IP access.

Two statuses:

Button status	LED	Function
Pressed	Red Light	Disables remote access
Released	Dim	Enables remote access

A Hardware Review



2XRT-0015G can be installed on several compatible devices:

- KVM over IP Switch – KN Series*(with CS231TK / CS261TK / KA7171AK) / RCM101A / RCM101D / RCM101E / RCM101F / RCM101G / RCM101H / RCM101I / RCM101J / RCM101K / RCM101L / RCM101M / RCM101N / RCM101O / RCM101P / RCM101Q / RCM101R / RCM101S / RCM101T / RCM101U / RCM101V / RCM101W / RCM101X / RCM101Y / RCM101Z / RCM101AA / RCM101AB / RCM101AC / RCM101AD / RCM101AE / RCM101AF / RCM101AG / RCM101AH / RCM101AI / RCM101AJ / RCM101AK / RCM101AL / RCM101AM / RCM101AN / RCM101AO / RCM101AP / RCM101AQ / RCM101AR / RCM101AS / RCM101AT / RCM101AU / RCM101AV / RCM101AW / RCM101AX / RCM101AY / RCM101AZ / RCM101BA / RCM101BB / RCM101BC / RCM101BD / RCM101BE / RCM101BF / RCM101BG / RCM101BH / RCM101BI / RCM101BJ / RCM101BK / RCM101BL / RCM101BM / RCM101BN / RCM101BO / RCM101BP / RCM101BQ / RCM101BR / RCM101BS / RCM101BT / RCM101BU / RCM101BV / RCM101BW / RCM101BX / RCM101BY / RCM101BZ / RCM101CA / RCM101CB / RCM101CC / RCM101CD / RCM101CE / RCM101CF / RCM101CG / RCM101CH / RCM101CI / RCM101CJ / RCM101CK / RCM101CL / RCM101CM / RCM101CN / RCM101CO / RCM101CP / RCM101CQ / RCM101CR / RCM101CS / RCM101CT / RCM101CU / RCM101CV / RCM101CW / RCM101CX / RCM101CY / RCM101CZ / RCM101DA / RCM101DB / RCM101DC / RCM101DD / RCM101DE / RCM101DF / RCM101DG / RCM101DH / RCM101DI / RCM101DJ / RCM101DK / RCM101DL / RCM101DM / RCM101DN / RCM101DO / RCM101DP / RCM101DQ / RCM101DR / RCM101DS / RCM101DT / RCM101DU / RCM101DV / RCM101DW / RCM101DX / RCM101DY / RCM101DZ / RCM101EA / RCM101EB / RCM101EC / RCM101ED / RCM101EE / RCM101EF / RCM101EG / RCM101EH / RCM101EI / RCM101EJ / RCM101EK / RCM101EL / RCM101EM / RCM101EN / RCM101EO / RCM101EP / RCM101EQ / RCM101ER / RCM101ES / RCM101ET / RCM101EU / RCM101EV / RCM101EW / RCM101EX / RCM101EY / RCM101EZ / RCM101FA / RCM101FB / RCM101FC / RCM101FD / RCM101FE / RCM101FF / RCM101FG / RCM101FH / RCM101FI / RCM101FJ / RCM101FK / RCM101FL / RCM101FM / RCM101FN / RCM101FO / RCM101FP / RCM101FQ / RCM101FR / RCM101FS / RCM101FT / RCM101FU / RCM101FV / RCM101FW / RCM101FX / RCM101FY / RCM101FZ / RCM101GA / RCM101GB / RCM101GC / RCM101GD / RCM101GE / RCM101GF / RCM101GG / RCM101GH / RCM101GI / RCM101GJ / RCM101GK / RCM101GL / RCM101GM / RCM101GN / RCM101GO / RCM101GP / RCM101GQ / RCM101GR / RCM101GS / RCM101GT / RCM101GU / RCM101GV / RCM101GW / RCM101GX / RCM101GY / RCM101GZ / RCM101HA / RCM101HB / RCM101HC / RCM101HD / RCM101HE / RCM101HF / RCM101HG / RCM101HH / RCM101HI / RCM101HJ / RCM101HK / RCM101HL / RCM101HM / RCM101HN / RCM101HO / RCM101HP / RCM101HQ / RCM101HR / RCM101HS / RCM101HT / RCM101HU / RCM101HV / RCM101HW / RCM101HX / RCM101HY / RCM101HZ / RCM101IA / RCM101IB / RCM101IC / RCM101ID / RCM101IE / RCM101IF / RCM101IG / RCM101IH / RCM101II / RCM101IJ / RCM101IK / RCM101IL / RCM101IM / RCM101IN / RCM101IO / RCM101IP / RCM101IQ / RCM101IR / RCM101IS / RCM101IT / RCM101IU / RCM101IV / RCM101IW / RCM101IX / RCM101IY / RCM101IZ / RCM101JA / RCM101JB / RCM101JC / RCM101JD / RCM101JE / RCM101JF / RCM101JG / RCM101JH / RCM101JI / RCM101JJ / RCM101JK / RCM101JL / RCM101JM / RCM101JN / RCM101JO / RCM101JP / RCM101JQ / RCM101JR / RCM101JS / RCM101JT / RCM101JU / RCM101JV / RCM101JW / RCM101JX / RCM101JY / RCM101JZ / RCM101KA / RCM101KB / RCM101KC / RCM101KD / RCM101KE / RCM101KF / RCM101KG / RCM101KH / RCM101KI / RCM101KJ / RCM101KL / RCM101KM / RCM101KN / RCM101KO / RCM101KP / RCM101KQ / RCM101KR / RCM101KS / RCM101KT / RCM101KU / RCM101KV / RCM101KW / RCM101KX / RCM101KY / RCM101KZ / RCM101LA / RCM101LB / RCM101LC / RCM101LD / RCM101LE / RCM101LF / RCM101LG / RCM101LH / RCM101LI / RCM101LJ / RCM101LK / RCM101LL / RCM101LM / RCM101LN / RCM101LO / RCM101LP / RCM101LQ / RCM101LR / RCM101LS / RCM101LT / RCM101LU / RCM101LV / RCM101LW / RCM101LX / RCM101LY / RCM101LZ / RCM101MA / RCM101MB / RCM101MC / RCM101MD / RCM101ME / RCM101MF / RCM101MG / RCM101MH / RCM101MI / RCM101MJ / RCM101MK / RCM101ML / RCM101MN / RCM101MO / RCM101MP / RCM101MQ / RCM101MR / RCM101MS / RCM101MT / RCM101MU / RCM101MV / RCM101MW / RCM101MX / RCM101MY / RCM101MZ / RCM101NA / RCM101NB / RCM101NC / RCM101ND / RCM101NE / RCM101NF / RCM101NG / RCM101NH / RCM101NI / RCM101NJ / RCM101NK / RCM101NL / RCM101NM / RCM101NO / RCM101NP / RCM101NQ / RCM101NR / RCM101NS / RCM101NT / RCM101NU / RCM101NV / RCM101NW / RCM101NX / RCM101NY / RCM101NZ / RCM101OA / RCM101OB / RCM101OC / RCM101OD / RCM101OE / RCM101OF / RCM101OG / RCM101OH / RCM101OI / RCM101OJ / RCM101OK / RCM101OL / RCM101OM / RCM101ON / RCM101OO / RCM101OP / RCM101OQ / RCM101OR / RCM101OS / RCM101OT / RCM101OU / RCM101OV / RCM101OW / RCM101OX / RCM101OY / RCM101OZ / RCM101PA / RCM101PB / RCM101PC / RCM101PD / RCM101PE / RCM101PF / RCM101PG / RCM101PH / RCM101PI / RCM101PJ / RCM101PK / RCM101PL / RCM101PM / RCM101PN / RCM101PO / RCM101PP / RCM101PQ / RCM101PR / RCM101PS / RCM101PT / RCM101PU / RCM101PV / RCM101PW / RCM101PX / RCM101PY / RCM101PZ / RCM101QA / RCM101QB / RCM101QC / RCM101QD / RCM101QE / RCM101QF / RCM101QG / RCM101QH / RCM101QI / RCM101QJ / RCM101QK / RCM101QL / RCM101QM / RCM101QN / RCM101QO / RCM101QP / RCM101QQ / RCM101QR / RCM101QS / RCM101QT / RCM101QU / RCM101QV / RCM101QW / RCM101QX / RCM101QY / RCM101QZ / RCM101RA / RCM101RB / RCM101RC / RCM101RD / RCM101RE / RCM101RF / RCM101RG / RCM101RH / RCM101RI / RCM101RJ / RCM101RK / RCM101RL / RCM101RM / RCM101RN / RCM101RO / RCM101RP / RCM101RQ / RCM101RR / RCM101RS / RCM101RT / RCM101RU / RCM101RV / RCM101RW / RCM101RX / RCM101RY / RCM101RZ / RCM101SA / RCM101SB / RCM101SC / RCM101SD / RCM101SE / RCM101SF / RCM101SG / RCM101SH / RCM101SI / RCM101SJ / RCM101SK / RCM101SL / RCM101SM / RCM101SN / RCM101SO / RCM101SP / RCM101SQ / RCM101SR / RCM101SS / RCM101ST / RCM101SU / RCM101SV / RCM101SW / RCM101SX / RCM101SY / RCM101SZ / RCM101TA / RCM101TB / RCM101TC / RCM101TD / RCM101TE / RCM101TF / RCM101TG / RCM101TH / RCM101TI / RCM101TJ / RCM101TK / RCM101TL / RCM101TM / RCM101TN / RCM101TO / RCM101TP / RCM101TQ / RCM101TR / RCM101TS / RCM101TT / RCM101TU / RCM101TV / RCM101TW / RCM101TX / RCM101TY / RCM101TZ / RCM101UA / RCM101UB / RCM101UC / RCM101UD / RCM101UE / RCM101UF / RCM101UG / RCM101UH / RCM101UI / RCM101UJ / RCM101UK / RCM101UL / RCM101UM / RCM101UN / RCM101UO / RCM101UP / RCM101UQ / RCM101UR / RCM101US / RCM101UT / RCM101UU / RCM101UV / RCM101UW / RCM101UX / RCM101UY / RCM101UZ / RCM101VA / RCM101VB / RCM101VC / RCM101VD / RCM101VE / RCM101VF / RCM101VG / RCM101VH / RCM101VI / RCM101VJ / RCM101VK / RCM101VL / RCM101VM / RCM101VN / RCM101VO / RCM101VP / RCM101VQ / RCM101VR / RCM101VS / RCM101VT / RCM101VU / RCM101VV / RCM101VW / RCM101VX / RCM101VY / RCM101VZ / RCM101WA / RCM101WB / RCM101WC / RCM101WD / RCM101WE / RCM101WF / RCM101WG / RCM101WH / RCM101WI / RCM101WJ / RCM101WK / RCM101WL / RCM101WM / RCM101WN / RCM101WO / RCM101WP / RCM101WQ / RCM101WR / RCM101WS / RCM101WT / RCM101WU / RCM101WV / RCM101WW / RCM101WX / RCM101WY / RCM101WZ / RCM101XA / RCM101XB / RCM101XC / RCM101XD / RCM101XE / RCM101XF / RCM101XG / RCM101XH / RCM101XI / RCM101XJ / RCM101XK / RCM101XL / RCM101XM / RCM101XN / RCM101XO / RCM101XP / RCM101XQ / RCM101XR / RCM101XS / RCM101XT / RCM101XU / RCM101XV / RCM101XW / RCM101XX / RCM101XY / RCM101XZ / RCM101YA / RCM101YB / RCM101YC / RCM101YD / RCM101YE / RCM101YF / RCM101YG / RCM101YH / RCM101YI / RCM101YJ / RCM101YK / RCM101YL / RCM101YM / RCM101YN / RCM101YO / RCM101YP / RCM101YQ / RCM101YR / RCM101YS / RCM101YT / RCM101YU / RCM101YV / RCM101YW / RCM101YX / RCM101YY / RCM101YZ / RCM101ZA / RCM101ZB / RCM101ZC / RCM101ZD / RCM101ZE / RCM101ZF / RCM101ZG / RCM101ZH / RCM101ZI / RCM101ZJ / RCM101ZK / RCM101ZL / RCM101ZM / RCM101ZN / RCM101ZO / RCM101ZP / RCM101ZQ / RCM101ZR / RCM101ZS / RCM101ZT / RCM101ZU / RCM101ZV / RCM101ZW / RCM101ZX / RCM101ZY / RCM101ZZ

B Hardware Installation

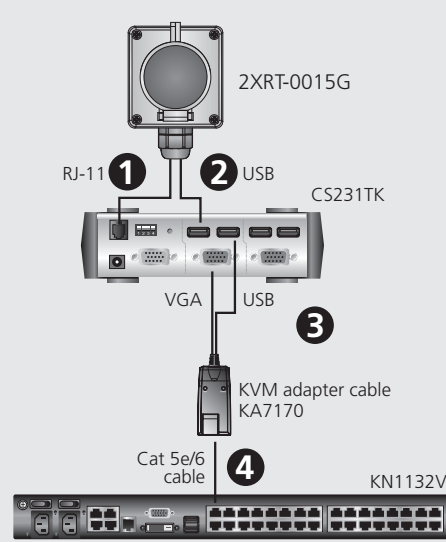
The installation steps of 2XRT-0015G with compatible devices are described below:

KVM over IP Switch (KN Series):

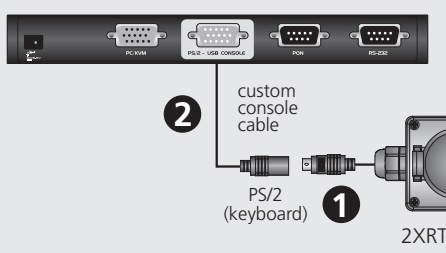
A computer sharing device and a KVM adapter cable are required to connect between the 2XRT-0015G and a KVM over IP switch (KN Series).

B Hardware Installation

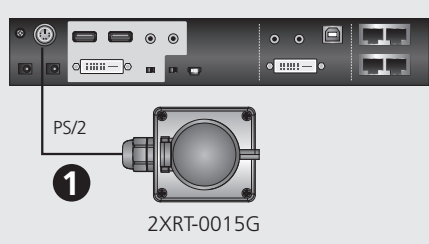
KVM over IP Switch (KN Series)



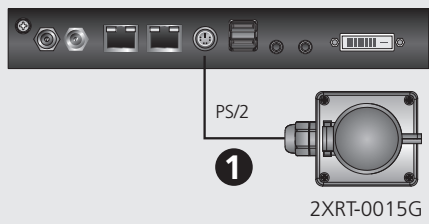
KVM over IP Switch (RCM101A)



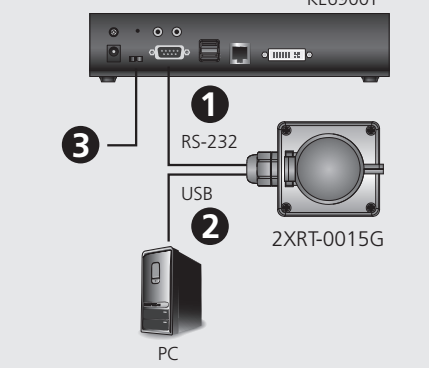
KVM over IP Switch (RCM101D)



KVM over IP Switch (RCMDV1101)



KVM over IP Transmitter: KE6900T



- 1 Connect the RJ-11 connector of the 2XRT-0015G to the firmware upgrade port on the rear side of a computer sharing device (e.g. CS231TK).
- 2 Connect the USB connector of the 2XRT-0015G to one of the USB ports in the region labeled "CONSOLE 2" on the rear side of the computer sharing device.
- 3 Connect the USB and VGA connectors of a KVM adapter cable (e.g. KA7170) to the other USB port and the VGA port in the "CONSOLE 2" region of the computer sharing device.
- 4 Connect one end of a Cat 5e/6 cable to the KVM adapter cable; connect the other end of the Cat 5e/6 cable to a KVM port of a KVM over IP switch (e.g. KN1132V).

KVM over IP Switch (RCM101A):

- 1 Connect the PS/2 connector of the 2XRT-0015G to the purple (keyboard) PS/2 port of a RCM101A's custom console cable.
- 2 Connect the custom console cable to the PS/2 - USB console port on the rear side of a KVM over IP switch.

KVM over IP Switch (RCM101D & RCMDV1101):

- 1 Connect the PS/2 connector of the 2XRT-0015G to the purple control port on the rear side of a KVM over IP switch.

KVM over IP Transmitter:

- 1 Connect the RS-232 connector of the 2XRT-0015G to the RS-232 port (labeled AUX) on the rear side of a KVM over IP transmitter (e.g. KE6900T).
- 2 Connect the USB connector of the 2XRT-0015G to a computer.
- 3 Slide the slide switch on the rear side of the KVM over IP transmitter to the **RS-232 Config** or **Access Control** position.

Note: Make sure the connected devices are powered on.

Boîte Access Control KVM sur IP 2XRT-0015G

www.aten.com

A Présentation du matériel

- 1 Bouton de contrôle / LED
- 2 Connecteur USB
- 3 Connecteur PS/2
- 4 Connecteur RJ-11
- 5 Connecteur RS-232

Fonctions de base et appareils compatibles

2XRT-0015G est un accessoire à bouton de contrôle permettant d'activer / désactiver l'accès KVM sur IP à distance.

Deux états :

État des boutons	LED	Fonction
Enfoncé	Lumière rouge	Désactiver l'accès à distance
Relâché	Faible éclairage	Activer l'accès à distance

2XRT-0015G peut être installé sur plusieurs appareils compatibles :

Commutateur KVM sur IP - Série KN* (avec CS231TK/CS261TK/KA7171AK)/RCM101A/RCM101D/RCMDV1101/RCMDV100AT/RCMDV140AT/RCMVG101/RCMDP101U

Émetteur KVM sur IP – KE6900T/KE6940T/KE8950T/KE8952T

D'autres appareils compatibles pourraient être ajoutés à l'avenir. Pour obtenir une liste complète des appareils compatibles, veuillez consulter www.aten.com.

*KN1108VA, KN1116VA, KN1132V, KN2116VA, KN4116VA, KN2132VA, KN4132VA, KN4164V, KN8132V, KN8164V, KN2124VA, KN4124VA, KN2140VA, KN4140VA

B Installation matérielle

Les étapes d'installation de 2XRT-0015G avec des appareils compatibles sont décrites ci-dessous :

Commutateur KVM sur IP (série KN) :

Un appareil de partage d'ordinateur et un câble d'adaptateur KVM sont nécessaires pour établir une connexion entre le 2XRT-0015G et un commutateur KVM sur IP (série KN).

- 1 Connectez le connecteur RJ-11 du 2XRT-0015G au port de mise à niveau du microprogramme à l'arrière d'un appareil de partage d'ordinateur (par ex. CS231TK).
- 2 Connectez le connecteur USB du 2XRT-0015G à l'un des ports USB dans la zone intitulée « CONSOLE 2 » à l'arrière de l'appareil de partage d'ordinateur.
- 3 Connectez les connecteurs USB et VGA d'un câble d'adaptateur KVM (par ex. KA7170) à l'autre port USB et au port VGA dans la zone « CONSOLE 2 » de l'appareil de partage d'ordinateur.
- 4 Connectez une extrémité d'un câble Cat 5e/6 au câble d'adaptateur KVM ; connectez l'autre extrémité du câble Cat 5e/6 à un port KVM d'un commutateur KVM sur IP (par ex. KN1132V).

Commutateur KVM sur IP (RCM101A) :

- 1 Connectez le connecteur PS/2 du 2XRT-0015G au port PS/2 violet (clavier) du câble de console personnalisée du RCM101A.
- 2 Connectez le câble de console personnalisée au port de console PS/2 - USB à l'arrière du commutateur KVM sur IP.

Commutateur KVM sur IP (RCM101D & RCMDV1101) :

- 1 Connectez le connecteur PS/2 du 2XRT-0015G au Control Port violet à l'arrière du commutateur KVM sur IP.

Émetteur KVM sur IP :

- 1 Connectez le connecteur RS-232 du 2XRT-0015G au port RS-232 (étiqueté AUX) à l'arrière de l'émetteur KVM sur IP (par ex. KE6900T).
- 2 Connectez le connecteur USB du 2XRT-0015G à un ordinateur.
- 3 Faites glisser l'interrupteur à glissière à l'arrière de l'émetteur KVM sur IP jusqu'à la position **RS-232 Config** ou **Access Control**.

Remarque : Assurez-vous que les appareils connectés sont sous tension.

2XRT-0015G KVM over IP Zugangskontrollbox

www.aten.com

A Hardware Übersicht

- 1 Steuertaste / LED
- 2 USB-Anschluss
- 3 PS/2-Anschluss
- 4 RJ-11-Anschluss
- 5 RJ-232-Anschluss

Grundfunktion & Kompatible Geräte

Die 2XRT-0015G ist ein Steuertasten-Zubehör zum Aktivieren/Deaktivieren des Remote KVM over IP Zugriffs.

Zwei Status:

Tastenstatus	LED	Funktion
Gedrückt	Rotes Licht	Fernzugriff deaktivieren
Losgelassen	Dunkel	Fernzugriff aktivieren

Die 2XRT-0015G kann auf mehreren kompatiblen Geräten installiert werden:

KVM over IP Switch – KN Serie*(mit CS231TK/CS261TK/KA7171AK)/RCM101A/RCM101D/RCMDV1101/RCMDV100AT/RCMDV140AT/RCMVG101/RCMDP101U

KVM over IP Transmitter – KE6900T/KE6940T/KE8950T/KE8952T

Weitere kompatible Geräte können in Zukunft hinzugefügt werden, eine vollständige Liste der kompatiblen Geräte finden Sie unter www.aten.com.

*KN1108VA, KN1116VA, KN1132V, KN2116VA, KN4116VA, KN2132VA, KN4132VA, KN4164V, KN8132V, KN8164V, KN2124VA, KN4124VA, KN2140VA, KN4140VA

B Hardware Installation

Im Folgenden werden die Installationsschritte für die 2XRT-0015G mit kompatiblen Geräten beschrieben:

KVM over IP Switch (KN Serie):

Für die Verbindung zwischen der 2XRT-0015G und einem KVM over IP Switch (KN Serie) ist ein Computer Freigabegerät und ein KVM-Adapterkabel erforderlich.

- 1 Verbinden Sie den RJ-11-Anschluss der 2XRT-0015G mit dem Anschluss für Firmware-Aktualisierung auf der Rückseite eines Computer Freigabegeräts (z.B. CS231TK).
- 2 Verbinden Sie den USB-Anschluss der 2XRT-0015G mit einem der USB-Anschlüsse in der Region "CONSOLE 2" auf der Rückseite des Computer Freigabegeräts.
- 3 Verbinden Sie die USB- und VGA-Anschlüsse eines KVM-Adapterkabels (z.B. KA7170) mit dem anderen USB-Anschluss und dem VGA-Anschluss im Bereich "CONSOLE 2" des Computer Freigabegeräts.
- 4 Verbinden Sie ein Ende eines Cat 5e/6-Kabels mit dem KVM-Adapterkabel, das andere Ende des Cat 5e/6-Kabels mit einem KVM-Anschluss eines KVM over IP Switches (z.B. KN1132V).

KVM over IP Switch (RCM101A):

- 1 Verbinden Sie den PS/2-Anschluss der 2XRT-0015G mit dem violetten (Tastatur) PS/2-Anschluss des RCM101A Benutzer Konsolenkabels.
- 2 Schließen Sie das Benutzer Konsolenkabel an den PS/2-USB-Konsolenanschluss auf der Rückseite des KVM over IP Switches an.

KVM over IP Switch (RCM101D & RCMDV1101):

- 1 Verbinden Sie den PS/2-Anschluss der 2XRT-0015G mit dem lila Steueranschluss auf der Rückseite des KVM over IP Switch.

KVM over IP Transmitter:

- 1 Verbinden Sie den RS-232-Anschluss der 2XRT-0015G mit dem RS-232-Anschluss (AUX) auf der Rückseite des KVM over IP Transmitters (z.B. KE6900T).
- 2 Verbinden Sie den USB-Anschluss der 2XRT-0015G mit einem Computer.
- 3 Schieben Sie den Schiebeschalter auf der Rückseite des KVM over IP Transmitters in die Position **RS-232 Konfig.** oder **Zugriffskontrolle**.

Hinweis: Stellen Sie sicher, dass die angeschlossenen Geräte eingeschaltet sind.

Access Control Box 2XRT-0015G KVM sobre IP

www.aten.com

A Revisión del hardware

- 1 Botón de control / LED
- 2 Conector USB
- 3 Conector PS/2
- 4 Conector RJ-11
- 5 Conector RS-232

Función básica y dispositivos compatibles

2XRT-0015G es un accesorio de botón de control para habilitar / deshabilitar el acceso remoto KVM sobre IP.

<p>Блок KVM по IP Access Control 2XRT-0015G</p>	www.aten.com
---	--------------

А Огляд обладнання

- Кнопка керування / світлодіод
- Роз'єм USB
- Роз'єм PS/2
- Роз'єм RJ-11
- Роз'єм RS-232

Основна функція та сумісні пристрої

2XRT-0015G являє собою додаткову кнопку керування, що дозволяє вмикати / вимикати дистанційний доступ KVM по IP.

Два стани:

Стан кнопки	Світлодіод	Функція
Натиснуто	Горить червоним кольором	Вимкнути дистанційний доступ
Не натиснуто	Не горить	Увімкнути дистанційний доступ

<p>Caixa Access Control 2XRT-0015G KVM over IP</p>	www.aten.com
--	--------------

А Revisão do Hardware

- Botão de controle / LED
- Conector USB
- Conector PS/2
- Conector RJ-11
- Conector RS-232

Função básica e dispositivos compatíveis

2XRT-0015G é um botão de controle acessório para ativar / desativar acesso remoto KVM over IP.

Dois estados:

Botão estado	LED	Função
Pressionado	Luz vermelha	Desativar acesso remoto
Libertado	Escuro	Ativar acesso remoto

<p>2XRT-0015G IP Üzerinden KVM Access Control Kutusu</p>	www.aten.com
--	--------------

А Donanım Bakış

- Kontrol Düğmesi / LED
- USB Bağlayıcı
- PS/2 Bağlayıcı
- RJ-11 Bağlayıcı
- RS-232 Bağlayıcı

Temel İşlevler ve Uyumlu Aygıtlar

2XRT-0015G, IP üzerinden uzaktan KVM erişimini etkinleştiren / devre dışı bırakan bir kontrol düğmesi aksesuarıdır.

İki durum:

Düğme durumu	LED	İşlev
Basılı	Kırmızı Işık	Uzaktan erişim devre dışı
Basılı Değil	Sönük	Uzaktan erişim etkin

<p>Skryznka do kontroli dostępu 2XRT-0015G KVM over IP Access Control</p>	www.aten.com
---	--------------

А Przegląd sprzętu

- Przycisk sterowania / LED
- Złącze USB
- Złącze PS/2
- Złącze RJ-11
- Złącze RS-232

Podstawowe funkcje i kompatybilne urządzenia

2XRT-0015G to akcesorium do kontroli dostępu służące do włączania/ wylączania dostępu zdalnego KVM według adresów IP.

Dwa statusy:

Status przycisku	Dioda LED	Funkcja
Naciśnięty	Czerwone światło	Wyłączony dostęp zdalny
Zwolniony	Przyciemnione światło	Włączony dostęp zdalny

<p>2XRT-0015G IP-KVM アクセスコントロールボックス</p>	www.aten.com
---	--------------

А 製品各部名称

- コントロールボタン /LED
- USB コネクター
- PS/2 コネクター
- RJ-11 コネクター
- RS-232 コネクター

基本機能と対応デバイス

2XRT-0015G はリモートで IP-KVM アクセスを有効 /無効にするコントロールボタンアクセサリです。

2 種類のステータス：

ボタンステータス	LED	機能
押した状態	赤色	リモートアクセスを無効にする
離れた状態	消灯	リモートアクセスを有効にする

<p>2XRT-0015G KVM over IP Access Control 박스</p>	www.aten.com
---	--------------

А 하드웨어 리뷰

- 컨트롤 버튼 /LED
- USB 커넥터
- PS/2 커넥터
- RJ-11 커넥터
- RS-232 커넥터

기본 기능 & 호환장치

2XRT-0015G 는 KVM over IP 액세스를 원격으로 활성화 / 비활성화 하는 컨트롤 버튼 액세서리입니다 .

두가지상태：

버튼상태	LED	기능
누름	빨간색	원격액세스비활성화
개방	어두운 색	원격액세스활성화

<p>2XRT-0015G KVM over IP Access Control 박스</p>	www.aten.com
---	--------------

А 하드웨어 리뷰

- 컨트롤 버튼 /LED
- USB 接头
- PS/2 接头
- RJ-11 接头
- RS-232 接头

基本功能及兼容装置

2XRT-0015G 为一控制按键配件，可允许 / 禁止远程 KVM over IP 存取。两种使用状态说明如下：

按键状态	LED 指示灯	功能
按下	亮红灯	禁止远程访问
再单击则弹回原状	不亮	允许远程访问

<p>KVM over IP 存取控制盒</p>	www.aten.com
--------------------------	--------------

А 硬體檢視

- 控制按鍵 / LED 指示燈
- USB 接頭
- PS/2 接頭
- RJ-11 接頭
- RS-232 接頭

基本功能及相容裝置

2XRT-0015G 為一控制按鍵配件，可允許 / 禁止遠端 KVM over IP 存取。兩種使用狀態說明如下：

按鍵狀態	LED 指示燈	功能
按下	亮紅燈	禁止遠端存取
再按一下則彈回原狀	不亮	允許遠端存取

2XRT-0015G можна встановлювати на декількох сумісних пристроях:
Комутатор KVM по IP – серія KN* (з CS231TK/CS261TK/KA7171AK)/ RCM101A/RCM101D/RCMDV1101/RCMDV100AT/RCMDV140AT/RCMVGA101/RCMDP101U

Передавач KVM по IP – KE6900T/KE6940T/KE8950T/KE8952T
У майбутньому можливе додавання інших сумісних пристроїв, повний перелік сумісних пристроїв наведений за адресою www.aten.com.
* KN1108VA, KN1116VA, KN1132V, KN2116VA, KN4116VA, KN2132VA, KN4132VA, KN4164V, KN8132V, KN8164V, KN2124VA, KN4124VA, KN2140VA, KN4140VA

В Встановлення обладнання

Нижче наведено кроки для встановлення 2XRT-0015G зі сумісними пристроями:

Комутатор KVM по IP (серія KN):

Для з'єднання між 2XRT-0015G та комутатором KVM по IP (серія KN) потрібний комп'ютерний пристрій зі спільним доступом та кабель з адаптером KVM.

<p>2XRT-0015G pode ser instalado em vários dispositivos compatíveis: Interruptor KVM over IP – série KN* (com CS231TK/CS261TK/KA7171AK)/ RCM101A/RCM101D/RCMDV1101/RCMDV100AT/RCMDV140AT/RCMVGA101/RCMDP101U Transmissor KVM over IP – KE6900T/KE6940T/KE8950T/KE8952T Podem ser adicionados mais dispositivos compatíveis no futuro, para uma lista completa de dispositivos compatíveis, consulte www.aten.com. * KN1108VA, KN1116VA, KN1132V, KN2116VA, KN4116VA, KN2132VA, KN4132VA, KN4164V, KN8132V, KN8164V, KN2124VA, KN4124VA, KN2140VA, KN4140VA</p>	www.aten.com
--	--------------

Podem ser adicionados mais dispositivos compatíveis no futuro, para uma lista completa de dispositivos compatíveis, consulte www.aten.com.
* KN1108VA, KN1116VA, KN1132V, KN2116VA, KN4116VA, KN2132VA, KN4132VA, KN4164V, KN8132V, KN8164V, KN2124VA, KN4124VA, KN2140VA, KN4140VA

Podem ser adicionados mais dispositivos compatíveis no futuro, para uma lista completa de dispositivos compatíveis, consulte www.aten.com.
* KN1108VA, KN1116VA, KN1132V, KN2116VA, KN4116VA, KN2132VA, KN4132VA, KN4164V, KN8132V, KN8164V, KN2124VA, KN4124VA, KN2140VA, KN4140VA

В Установка до Hardware

Os passos de instalação do 2XRT-0015G com dispositivos compatíveis são descritos abaixo:

Interruptor KVM over IP (série KN):

É necessário um dispositivo de partilha de computador e um cabo adaptador KVM para ligar entre o 2XRT-0015G e um interruptor KVM over IP (série KN).

<p>2XRT-0015G IP Üzerinden KVM Access Control Kutusu</p>	www.aten.com
--	--------------

2XRT-0015G birçok uyumlu aygıt üzerine yüklenbilir:
IP Üzerinden KVM Anahtarı – KN Serisi*(CS231TK/CS261TK/KA7171AK ile)/RCM101A/RCM101D/RCMDV1101/RCMDV100AT/RCMDV140AT/RCMVGA101/RCMDP101U
IP Üzerinden KVM Vericisi – KE6900T/KE6940T/KE8950T/KE8952T
Gelecekte başka uyumlu aygıtlar eklenebilir; uyumlu aygıtların tam listesi için lütfen www.aten.com adresine bakın.
* KN1108VA, KN1116VA, KN1132V, KN2116VA, KN4116VA, KN2132VA, KN4132VA, KN4164V, KN8132V, KN8164V, KN2124VA, KN4124VA, KN2140VA, KN4140VA

В Donanım Kurulumu

Uyumlu aygıtlar ile 2XRT-0015G kurulum adımları aşağıda açıklanmıştır:

IP Üzerinden KVM Anahtarı (KN Serisi):

2XRT-0015G ile bir IP üzerinden KVM anahtarı (KN Serisi) arasında bağlantı kurmak için bir Bilgisayar Paylaşım Aygıtı ve bir KVM adaptör kablosu gereklidir.

<p>Jednostkę 2XRT-0015G można instalować na następujących kompatybilnych urządzeniach: Przełącznik KVM over IP – Seria KN*(z CS231TK/CS261TK/KA7171AK)/ RCM101A/RCM101D/RCMDV1101/RCMDV100AT/RCMDV140AT/RCMVGA101/RCMDP101U Nadajnik KVM over IP – KE6900T/KE6940T/KE8950T/KE8952T W przyszłości zostanie dodane więcej kompatybilnych urządzeń; pełna lista kompatybilnych urządzeń jest dostępna na stronie internetowej www.aten.com. * KN1108VA, KN1116VA, KN1132V, KN2116VA, KN4116VA, KN2132VA, KN4132VA, KN4164V, KN8132V, KN8164V, KN2124VA, KN4124VA, KN2140VA, KN4140VA</p>	www.aten.com
---	--------------

W przyszłości zostanie dodane więcej kompatybilnych urządzeń; pełna lista kompatybilnych urządzeń jest dostępna na stronie internetowej www.aten.com.
* KN1108VA, KN1116VA, KN1132V, KN2116VA, KN4116VA, KN2132VA, KN4132VA, KN4164V, KN8132V, KN8164V, KN2124VA, KN4124VA, KN2140VA, KN4140VA

W przyszłości zostanie dodane więcej kompatybilnych urządzeń; pełna lista kompatybilnych urządzeń jest dostępna na stronie internetowej www.aten.com.
* KN1108VA, KN1116VA, KN1132V, KN2116VA, KN4116VA, KN2132VA, KN4132VA, KN4164V, KN8132V, KN8164V, KN2124VA, KN4124VA, KN2140VA, KN4140VA

В Instalacja sprzętu

Poniżej opisano czynności instalacyjne dla jednostki 2XRT-0015G z kompatybilnymi urządzeniami:

В Установка сrпpэту

Понижэ апісано чыннасці інсталачыне для адноскі 2XRT-0015G з кампатыбльнымі ўраджэннямі:

1 Під'єднайте роз'єм RJ-11 2XRT-0015G до порту оновлення вбудованого програмного забезпечення на задньому боці комп'ютерного пристрою зі спільним доступом (наприклад CS231TK).

2 Під'єднайте роз'єм USB 2XRT-0015G до одного з портів USB у області з позначкою "CONSOLE 2" на задньому боці комп'ютерного пристрою зі спільним доступом.

3 Під'єднайте роз'єми USB та VGA кабелю з адаптером KVM (наприклад KA7170) до іншого порту USB та порту VGA у області "CONSOLE 2" комп'ютерного пристрою зі спільним доступом.

4 Під'єднайте один кінець кабелю Cat 5e/6 до кабелю з адаптером KVM; під'єднайте інший кінець кабелю Cat 5e/6 до порту KVM комутатора KVM по IP (наприклад, KN1132V).

Комутатор KVM по IP (RCM101A):

1 Під'єднайте роз'єм PS/2 2XRT-0015G до пурпурового порту PS/2 (клавіатури) спеціального консольного кабелю RCM101A.

2 Під'єднайте спеціальний консольний кабель до консольного порту PS/2 - USB на задньому боці комутатора KVM по IP.

<p>1 Ligue o conector RJ-11 do 2XRT-0015G à porta de atualização de Firmware no lado traseiro de um dispositivo de partilha de computador (por ex. CS231TK).</p>	www.aten.com
--	--------------

2 Ligue o conector USB do 2XRT-0015G a uma das portas USB na área com a etiqueta "CONSOLE 2" no lado traseiro do dispositivo de partilha de computador.

3 Ligue os conectores USB e VGA de um cabo adaptador KVM (por ex. KA7170) a outra porta USB e a porta VGA na área "CONSOLE 2" do dispositivo de partilha de computador.

4 Ligue uma extremidade do cabo Cat 5e/6 ao cabo adaptador KVM; ligue a outra extremidade do cabo Cat 5e/6 a uma porta KVM de um interruptor KVM over IP (por ex. KN1132V).

Interruptor KVM over IP (RCM101A):

1 Ligue o conector PS/2 do 2XRT-0015G à porta PS/2 roxa (teclado) do cabo da consola personalizada do RCM101A.

2 Ligue o cabo da consola personalizada à porta da consola PS/2 - USB no lado traseiro do interruptor KVM over IP.

<p>1 Ligue o conector RJ-11 do 2XRT-0015G à porta de atualização de Firmware no lado traseiro de um dispositivo de partilha de computador (por ex. CS231TK).</p>	www.aten.com
--	--------------

2 Ligue o conector USB do 2XRT-0015G a uma das portas USB na área com a etiqueta "CONSOLE 2" no lado traseiro do dispositivo de partilha de computador.

3 Ligue os conectores USB e VGA de um cabo adaptador KVM (por ex. KA7170) a outra porta USB e a porta VGA na área "CONSOLE 2" do dispositivo de partilha de computador.

4 Ligue uma extremidade do cabo Cat 5e/6 ao cabo adaptador KVM; ligue a outra extremidade do cabo Cat 5e/6 a uma porta KVM de um interruptor KVM over IP (por ex. KN1132V).

<p>1 Ligue o conector RJ-11 do 2XRT-0015G à porta de atualização de Firmware no lado traseiro de um dispositivo de partilha de computador (por ex. CS231TK).</p>	www.aten.com
--	--------------

IP Üzerinden KVM Anahtarı (RCM101A):

1 2XRT-0015G'nin PS/2 bağlantısını RCM101A'nin Özel Konsol Kablounun mor (klavve) PS/2 bağlantı noktasına takın.

2 Özel Konsol Kablounu IP Üzerinden KVM Anahtarının arka tarafındaki PS/2 - USB Konsol Bağlantı Noktasına takın.

<p>1 Ligue o conector RJ-11 do 2XRT-0015G à porta de atualização de Firmware no lado traseiro de um dispositivo de partilha de computador (por ex. CS231TK).</p>	www.aten.com
--	--------------

2 Ligue o conector USB do 2XRT-0015G a uma das portas USB na área com a etiqueta "CONSOLE 2" no lado traseiro do dispositivo de partilha de computador.

3 Ligue os conectores USB e VGA de um cabo adaptador KVM (por ex. KA7170) a outra porta USB e a porta VGA na área "CONSOLE 2" do dispositivo de partilha de computador.

4 Ligue uma extremidade do cabo Cat 5e/6 ao cabo adaptador KVM; ligue a outra extremidade do cabo Cat 5e/6 a uma porta KVM de um interruptor KVM over IP (por ex. KN1132V).

4 Ligue uma extremidade do cabo Cat 5e/6 ao cabo adaptador KVM; ligue a outra extremidade do cabo Cat 5e/6 a uma porta KVM de um interruptor KVM over IP (por ex. KN1132V).

4 Ligue uma extremidade do cabo Cat 5e/6 ao cabo adaptador KVM; podłączycy drugi koniec przewodu Cat 5e/6 do portu KVM na przełączniku KVM over IP (np. KN1132V).

<p>1 Ligue o conector RJ-11 do 2XRT-0015G à porta de atualização de Firmware no lado traseiro de um dispositivo de partilha de computador (por ex. CS231TK).</p>	www.aten.com
--	--------------

<p>2XRT-0015G IP-KVM アクセスコントロールボックス</p>	www.aten.com
---	--------------

А 製品各部名称

- コントロールボタン /LED
- USB コネクター
- PS/2 コネクター
- RJ-11 コネクター
- RS-232 コネクター

В Установка до Hardware

Os passos de instalação do 2XRT-0015G com dispositivos compatíveis são descritos abaixo:

1 Під'єднайте роз'єм RJ-11 2XRT-0015G до порту оновлення вбудованого програмного забезпечення на задньому боці комп'ютерного пристрою зі спільним доступом (наприклад CS231TK).

2 Під'єднайте роз'єм USB 2XRT-0015G до одного з портів USB у області з позначкою "CONSOLE 2" на задньому боці комп'ютерного пристрою зі спільним доступом.

3 Під'єднайте роз'єми USB та VGA кабелю з адаптером KVM (наприклад KA7170) до іншого порту USB та порту VGA у області "CONSOLE 2" комп'ютерного пристрою зі спільним доступом.

4 Під'єднайте один кінець кабелю Cat 5e/6 до кабелю з адаптером KVM; під'єднайте інший кінець кабелю Cat 5e/6 до порту KVM комутатора KVM по IP (наприклад, KN1132V).

В Установка до Hardware

Os passos de instalação do 2XRT-0015G com dispositivos compatíveis são descritos abaixo:

1 Під'єднайте роз'єм RJ-11 2XRT-0015G до порту оновлення вбудованого програмного забезпечення на задньому боці комп'ютерного пристрою зі спільним доступом (наприклад CS231TK).

2 Під'єднайте роз'єм USB 2XRT-0015G до одного з портів USB у області з позначкою "CONSOLE 2" на задньому боці комп'ютерного пристрою зі спільним доступом.

3 Під'єднайте роз'єми USB та VGA кабелю з адаптером KVM (наприклад KA7170) до іншого порту USB та порту VGA у області "CONSOLE 2" комп'ютерного пристрою зі спільним доступом.

4 Під'єднайте один кінець кабелю Cat 5e/6 до кабелю з адаптером KVM; під'єднайте інший кінець кабелю Cat 5e/6 до порту KVM комутатора KVM по IP (наприклад, KN1132V).

В Установка до Hardware

Os passos de instalação do 2XRT-0015G com dispositivos compatíveis são descritos abaixo:

1 Під'єднайте роз'єм RJ-11 2XRT-0015G до порту оновлення вбудованого програмного забезпечення на задньому боці комп'ютерного пристрою зі спільним доступом (наприклад CS231TK).

2 Під'єднайте роз'єм USB 2XRT-0015G до одного з портів USB у області з позначкою "CONSOLE 2" на задньому боці комп'ютерного пристрою зі спільним доступом.

3 Під'єднайте роз'єми USB та VGA кабелю з адаптером KVM (наприклад KA7170) до іншого порту USB та порту VGA у області "CONSOLE 2" комп'ютерного пристрою зі спільним доступом.

4 Під'єднайте один кінець кабелю Cat 5e/6 до кабелю з адаптером KVM; під'єднайте інший кінець кабелю Cat 5e/6 до порту KVM комутатора KVM по IP (наприклад, KN1132V).

В Установка до Hardware

Os passos de instalação do 2XRT-0015G com dispositivos compatíveis são descritos abaixo:

1 Під'єднайте роз'єм RJ-11 2XRT-0015G до порту оновлення вбудованого програмного забезпечення на задньому боці комп'ютерного пристрою зі спільним доступом (наприклад CS231TK).

2 Під'єднайте роз'єм USB 2XRT-0015G до одного з портів USB у області з позначкою "CONSOLE 2" на задньому боці комп'ютерного пристрою зі спільним доступом.

3 Під'єднайте роз'єми USB та VGA кабелю з адаптером KVM (наприклад KA7170) до іншого порту USB та порту VGA у області "CONSOLE 2" комп'ютерного пристрою зі спільним доступом.

4 Під'єднайте один кінець кабелю Cat 5e/6 до кабелю з адаптером KVM; під'єднайте інший кінець кабелю Cat 5e/6 до порту KVM комутатора KVM по IP (наприклад, KN1132V).

<p>1 Ligue o conector RJ-11 do 2XRT-0015G à porta de atualização de Firmware no lado traseiro de um dispositivo de partilha de computador (por ex. CS231TK).</p>	www.aten.com
--	--------------

2 Ligue o conector USB do 2XRT-0015G a uma das portas USB na área com a etiqueta "CONSOLE 2" no lado traseiro do dispositivo de partilha de computador.

3 Ligue os conectores USB e VGA de um cabo