

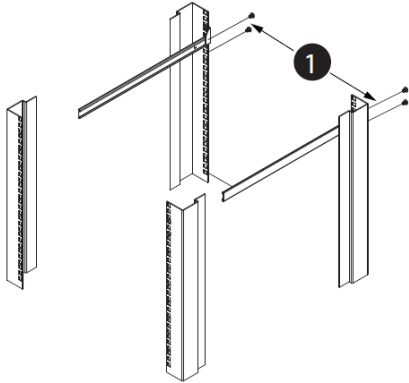
LCD KVM Standard Rack Mount Installation Guide

Installation

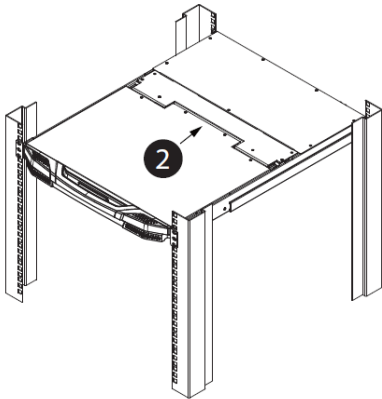
A standard rack mounting kit is provided with your LCD KVM switches which requires 1U of the rack space. To rack mount the LCD KVM switches, follow the steps below.

Note: A CL3884NW 4-Port USB HDMI Multi-View Dual Rail WideScreen LCD KVM Switch is used as an example to illustrate the procedure.

1. Attach the left and right mounting brackets to the back of the rack, installing four screws in the tabs to secure them in place.



2. Two people insert the LCD KVM switch, by sliding its left and right side bars into the mounting brackets.



3. While one person hold the weight of the LCD KVM switch, have a second person install four screws in the front tabs to secure the module to the front of the rack.

Note: Allow at least 5.1 cm on each side for proper ventilation, and at least 12.7 cm at the back for the power cord and cable clearance.

