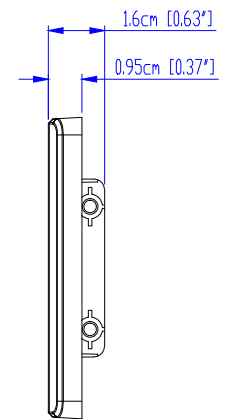
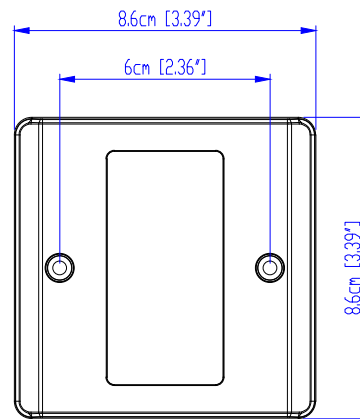
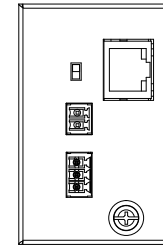
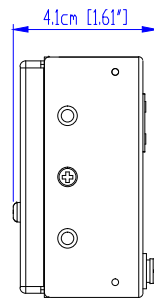
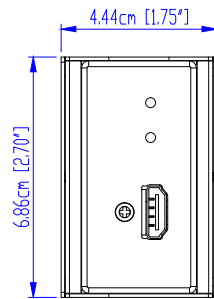
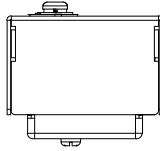


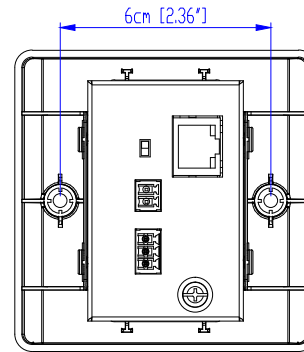
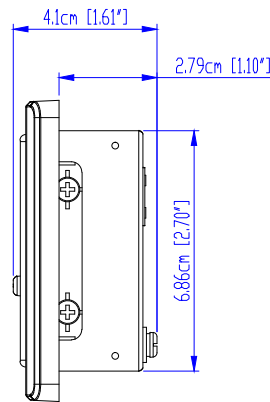
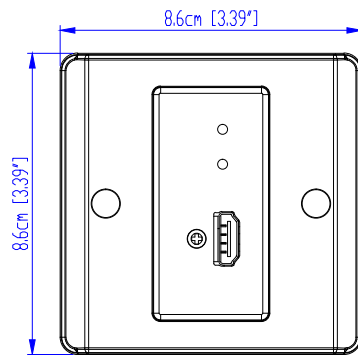
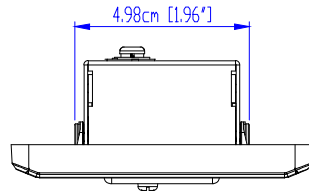
CAD Drawings



ATEN
VE1801EUT

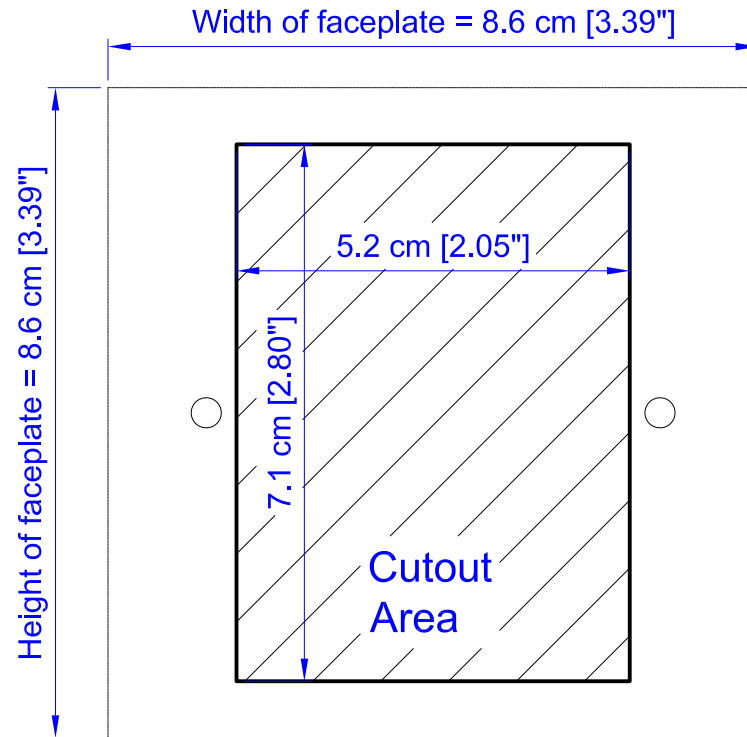


ATEN
VE1801EUT



ATEN
VE1801EUT

Panel Mount Cutout



Note: ATEN recommends a 1-gang wall box with a depth of at least 4.5 cm (1.77 inches) to accommodate the connectors and cables.

ATEN
VE1801EUT