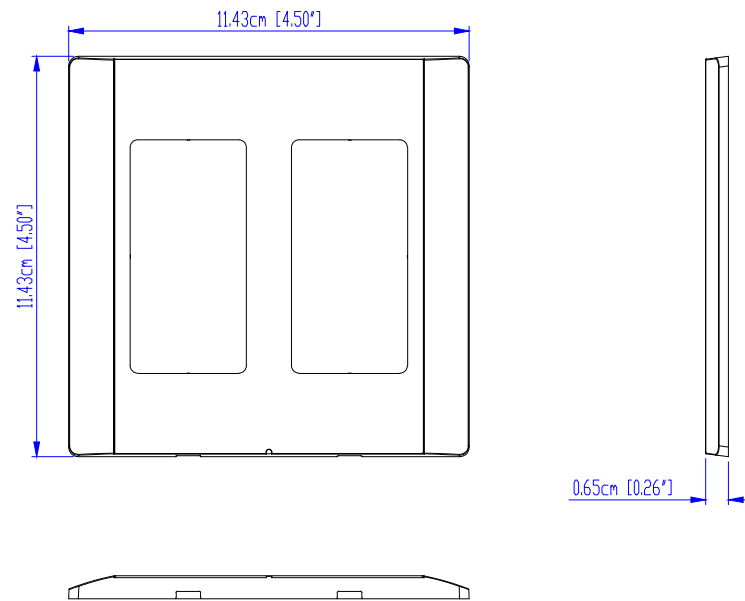
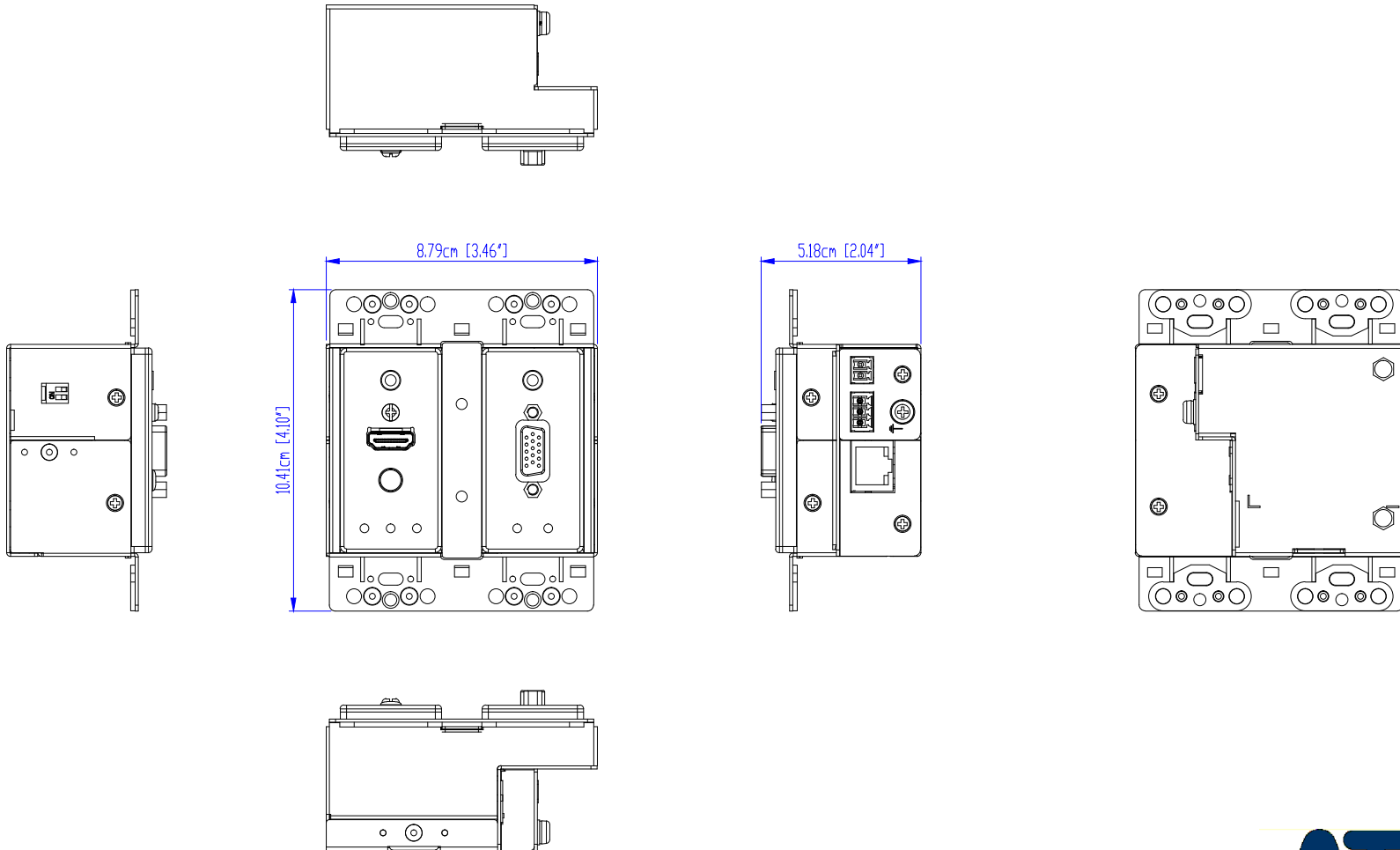


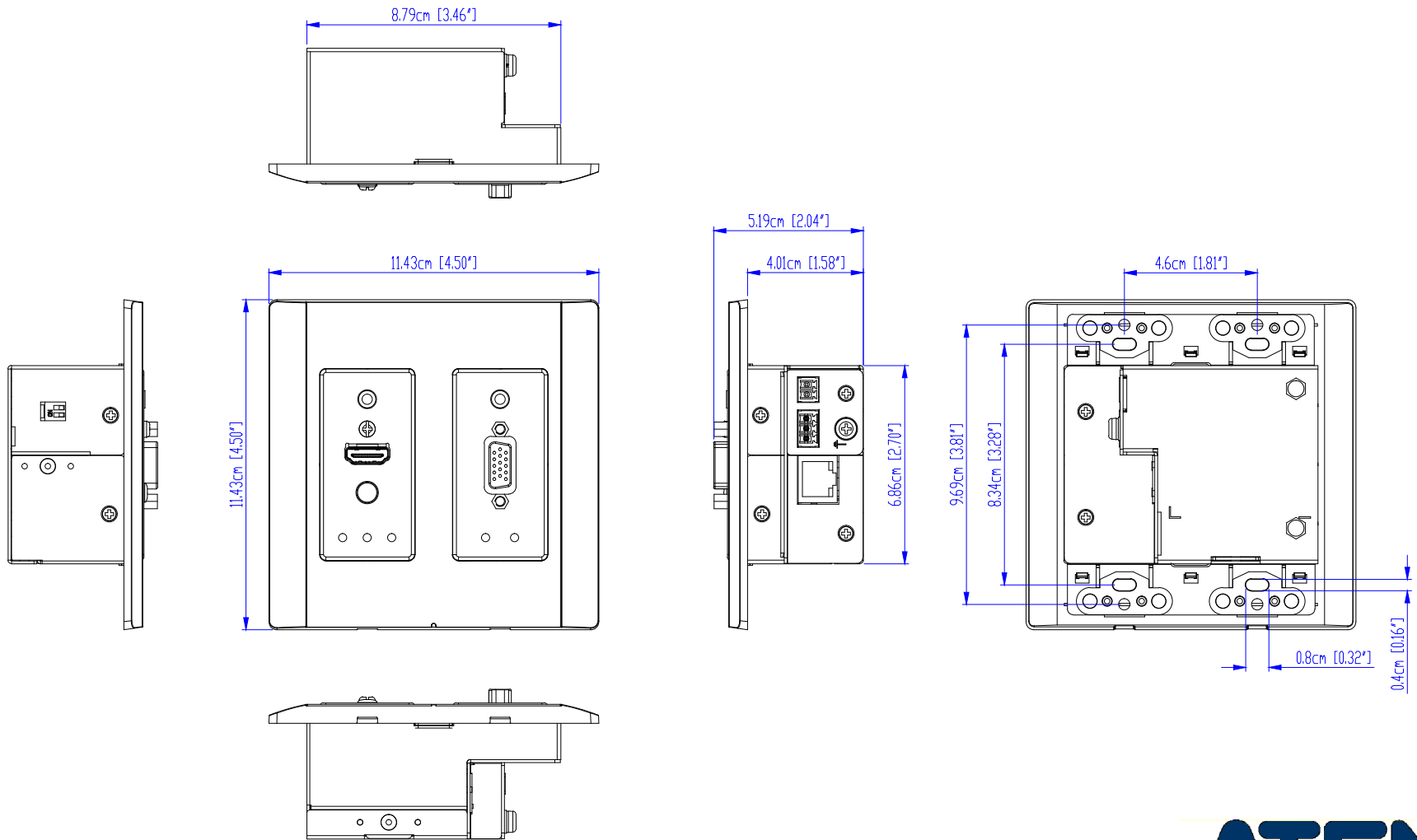
CAD Drawings



VE2812AUST

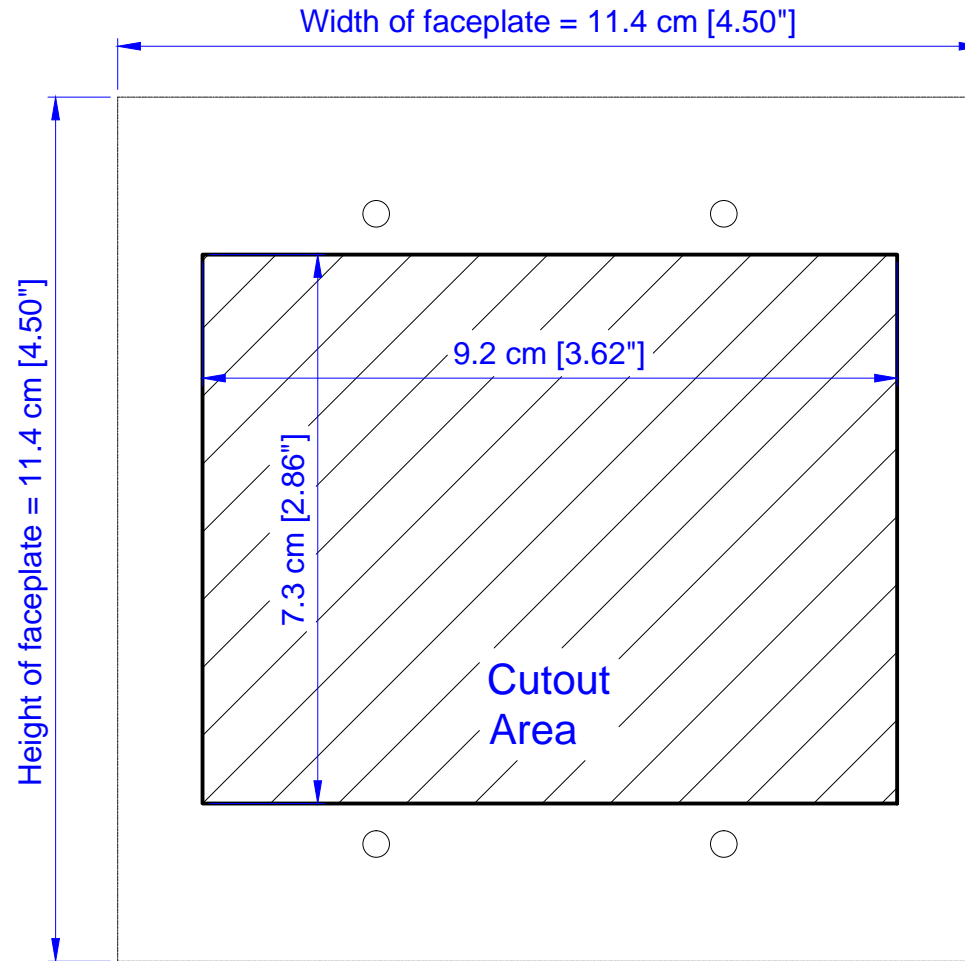


ATEN
VE2812AUST



VE2812AUST

Panel Mount Cutout



Note: ATEN recommends a 2-gang wall box with a depth of at least 6 cm (2.36 inches) to accommodate the connectors and cables.



VE2812(A)UST