

IC164 Non-Powered / High Speed Parallel Data Extender

Installation Guide



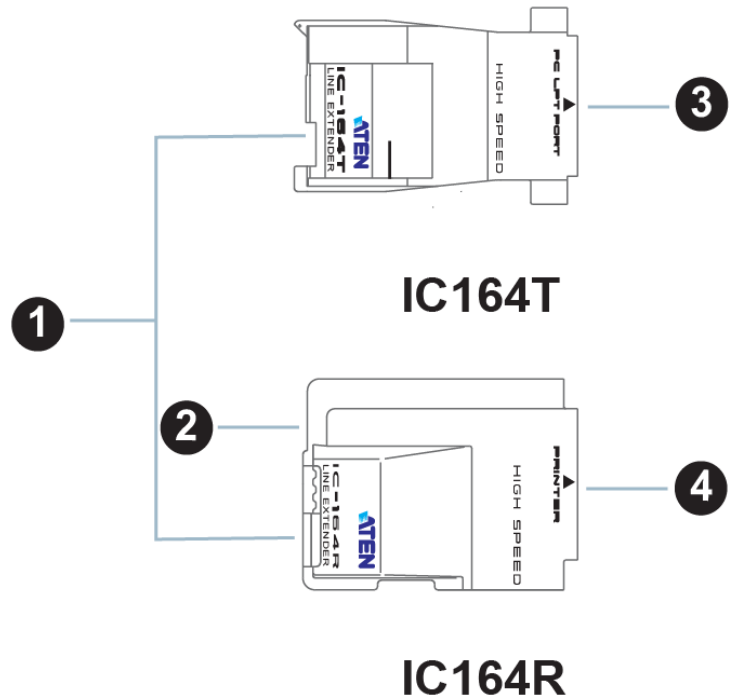
MISC10000023 04/2021 V1.0

Package Contents

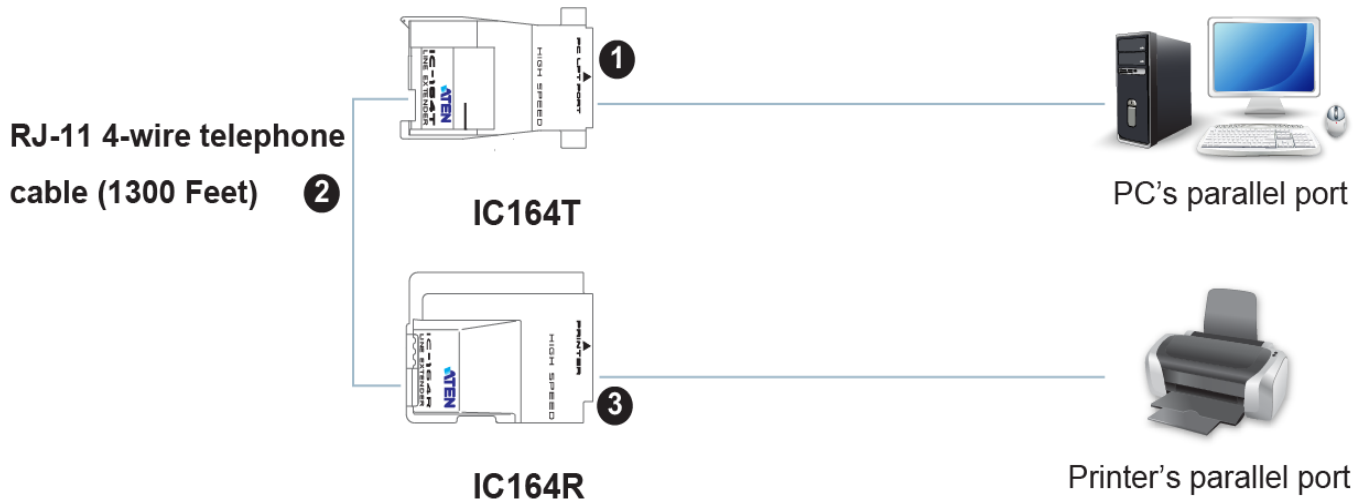
Qty	Description
1	IC164 Non-Powered / High Speed Parallel Data Extender
1	RJ-11 4-wire telephone cable
1	user instructions

Hardware Overview

1. RJ-11 port
2. power jack
3. DB-25 male connector (PC)
4. Centronics 36-pin male connector (printer)




Installation



1. Connect the IC164T's DB-25 male connector to the PC's parallel port.
2. Connect one end of the RJ-11 4-wire telephone cable to the RJ-11 port of the IC164T, and then connect the other end to the RJ-11 port of the IC164R.
3. Connect the IC164R's Centronics 36-pin male connector to the printer's parallel port.
4. Power on the printer and PC, and the IC164T and IC164R are now ready to use.

Troubleshooting

Problem	Resolution
Failure of data transmission	1. Make sure the RJ-11 4-wire telephone cable is firmly connected to the IC164T and IC164R.
	2. Make sure the printer is powered on and ready to use.
	3. The IC164 only extends data transmission from PC to printer. Make sure the interface of PC and printer are compatible, and use appropriate adapters for interface conversion if required.
	4. The IC164 devices may not have sufficient power supply. Plug a power adapter of 9V DC, 50mA (min) with positive polarity  to the power jack on the IC164R. Note: The power adapter is not provided in the package.
	5. The problem may be caused by an improper printer reset. Please reset the IC164R by re-plugging the IC164R from the printer and RJ-11 4-wire telephone cable from the IC164R.