

KE Series Dual Rack Mount Kit – 2X-021G

Installation Guide



This dual rack mounting kit installs two KE Series units side by side in 1U of server rack space.



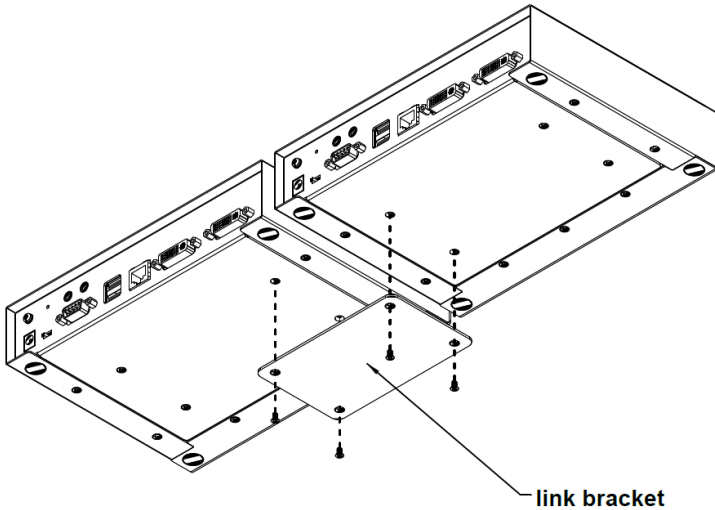
MISC00000270 06/2023 V4.0

Package Contents

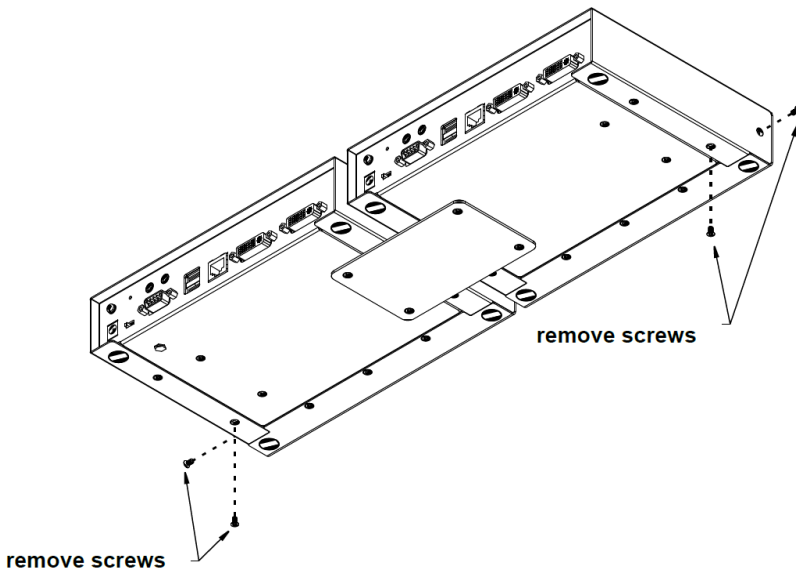
| Qty | Description |
|-----|------------------------|
| 1 | link bracket |
| 1 | right mounting bracket |
| 1 | left mounting bracket |
| 4 | phillips hex screws |
| 4 | flat screws |

Installation:

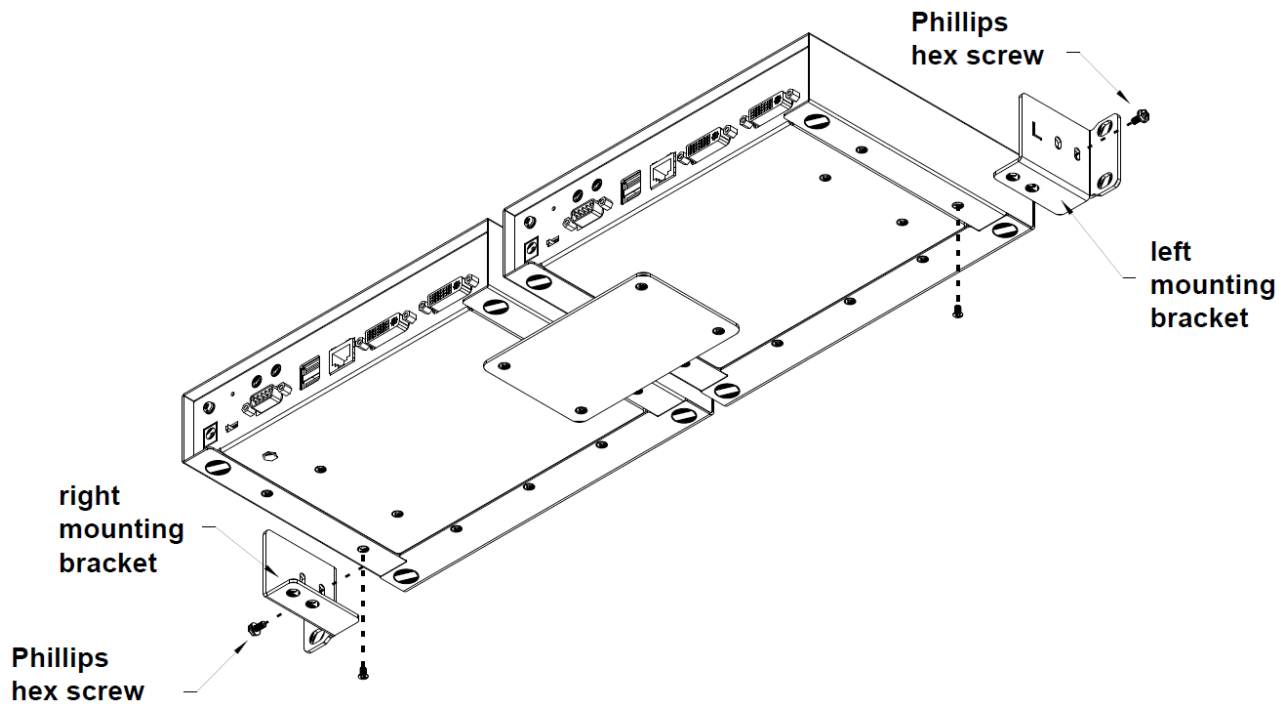
1. Remove four screws from the KE Series units and then use the same screws to secure the units together with the link bracket.



2. Remove the bottom and side screws from each KE Series unit.



3. Use the screws from step 2 and install the left and right mounting brackets.



4. Screw the mounting brackets to the rack.

