



USB-C Dual-View Mini Dock

USER MANUAL

UH3233

EMC Information

Federal Communication Commission Interference Statement: This equipment has been tested and found to comply with the limits for a Class B digital service, pursuant to Part 15 of the FCC rules. These limits are designed to provide reasonable protection against harmful interference in a residential installation. Any changes or modifications made to this equipment may void the user's authority to operate this equipment. This equipment generates, uses, and can radiate radio frequency energy. If not installed and used in accordance with the instructions, may cause harmful interference to radio communications. However, there is no guarantee that interference will not occur in a particular installation. If this equipment does cause harmful interference to radio or television reception, which can be determined by turning the equipment off and on, the user is encouraged to try to correct the interference by one or more of the following measures:

Reorient or relocate the receiving antenna;

Increase the separation between the equipment and receiver;

Connect the equipment into an outlet on a circuit different from that which the receiver is connected;

Consult the dealer/an experienced radio/television technician for help.

FCC Caution: Any changes or modifications not expressly approved by the party responsible for compliance could void the user's authority to operate this equipment.

This device complies with Part 15 of the FCC Rules. Operation is subject to the following two conditions:

(1) this device may not cause harmful interference, and

(2) this device must accept any interference received, including interference that may cause undesired operation.

KCC Statement

유선 제품용 / B 급 기기 (가정용 방송 통신 기기)

이 기기는 가정용 (B 급) 전자파적합기기로서 주로 가정에서 사용하는 것을 목적으로 하며, 모든 지역에서 사용할 수 있습니다.

RoHS

This product is RoHS compliant.



© Copyright 2021 ATEN® International Co., Ltd.

Manual Date: 2021-01-06

ATEN and the ATEN logo are registered trademarks of ATEN International Co., Ltd. All rights reserved. All other brand names and trademarks are the registered property of their respective owners. The terms HDMI, HDMI High-Definition Multimedia Interface, and the HDMI Logo are trademarks or registered trademarks of HDMI Licensing Administrator, Inc.

UH3233 User Manual

Online Registration

International	http://eservice.aten.com
---------------	---

Telephone Support

International	886-2-8692-6959
China	86-400-810-0-810
Japan	81-3-5615-5811
Korea	82-2-467-6789
North America	1-888-999-ATEN ext 4988 1-949-428-1111

Technical Support

- ◆ For international online technical support – including troubleshooting, documentation, and software updates:
<http://eservice.aten.com>
- ◆ For North American technical support:

Email Support		support@aten-usa.com
Online Technical Support	Troubleshooting Documentation Software Updates	http://support.aten.com
Telephone Support		1-888-999-ATEN ext 4998

Package Contents

The UH3233 USB-C Dual-HDMI Mini Dock package contains the following items:

- ◆ 1 UH3233 USB-C Dual-HDMI Mini Dock
- ◆ 1 USB-C to USB-C Cable
- ◆ 1 User Instructions*

Check to make sure that all the components are present and that nothing got damaged in shipping. If you encounter a problem, contact your dealer.

Read this manual thoroughly and follow the installation and operation procedures carefully to prevent any damage to the unit, and/or any of the devices connected to it.

* Features may have been added to the UH3233 since this manual was printed. Please visit our website to download the most up-to-date version of the manual.

Overview

The ATEN UH3233 USB-C Dual-HDMI Mini Dock transforms your USB-C device into a dual monitor workstation, and is compliant with the latest USB 3.1 Gen 1 Type-C specifications. The UH3233 can route video from a source device to one HDMI monitor for 4K resolution or to two HDMI monitors, splitting the video transmission for a dual-view display via a single cable for a resolution of 1920x1080 on each HDMI monitor.

The UH3233 USB-C Dual-HDMI Mini Dock uses USB-C connections to create high-speed and reliable transfers between a computer and up to 128 additional peripherals. The UH3233's slim and lightweight design makes it ideal to get the most out of your workspace and gives you the convenience of taking it with you for business on the go.

Features

- ◆ Connects a computer to two HDMI monitors with Dual-View output
- ◆ USB 3.1 Gen 1 compliant
- ◆ Supports 4K (UHD) resolution via single display output*
- ◆ Supports dual-display video output up to 1920 x 1080 simultaneously*
- ◆ USB 3.1 Gen 1 port with data transfer rates up to 5 Gbps
- ◆ Plug and Play – no drivers or external power adapter needed

* See System Requirements.

System Requirements

Hardware

- ◆ A USB Type-C or Thunderbolt™ 3 USB Type-C compatible computer*
- ◆ Two HDMI monitors

Note: 1. For video output to work through a USB-C port, it must support DP Alt Mode.

2. For Dual-View to work, the computer's onboard graphics module or video source requires DisplayPort 1.2 with MST+HBR2 compatibility to support video output under extended mode. (Mac computers do not include MST technology and will therefore not support Dual-View mode.)

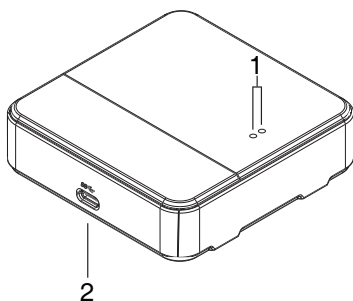
Software

- ◆ Windows® 10
- ◆ Mac iOS 10.12

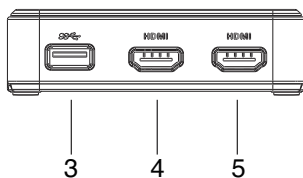
Components

UH3233

Front View



Rear View



No.	Component	Description
1	Power / Status LED	This LED lights Blue to indicate the UH3233 is powered on, or Orange to indicate that the UH3233 isn't receiving sufficient power from the computer to supply power to the device connected to the USB 3.1 Gen 1 Type-C port.
2	USB 3.1 Gen 1 Type-C Port	This port is used to connect a USB Type-C or Thunderbolt™ 3 USB Type-C compatible laptop via a USB-C cable.
3	USB 3.1 Gen 1 Type-A Port	Use this port to connect a USB device (keyboard, mouse, peripheral or adapter) to the UH3233.
4	HDMI Port 1	Connect an HDMI monitor to this port.
5	HDMI Port 2	Connect a second HDMI monitor to this port.

Installation



1. Make sure that the power to any device that you connect to the installation has been turned off.
2. Make sure that all devices you will be installing are properly grounded.

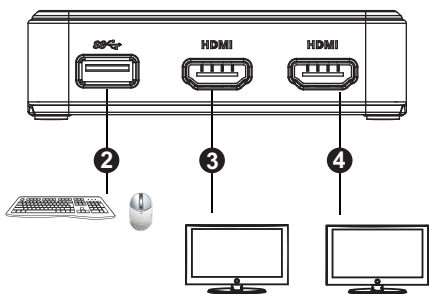
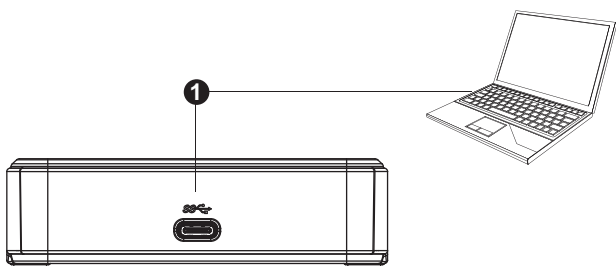
To set up the UH3233, use the diagram on the next page (the numbers in the diagram correspond with the numbered instructions below), and do the following:

1. Use the USB-C to USB-C cable (included with the package) to connect the laptop's USB-C port to the UH3233.

Note:

1. To ensure a good connection, check that the Power LED on the top of the UH3233 is on.
2. When the LED on the top of the UH3233 lights orange, please connect an AC adapter to the USB device connected to the USB 3.1 Gen 1 Type-C port, as the orange light indicates that the connected laptop cannot provide enough power for the USB-C device.

2. Connect a USB device (keyboard/mouse/peripheral/adaptor) to the USB 3.1 Gen 1 Type-A port on the UH3233.
3. Connect an HDMI cable from the monitor to the HDMI Port 1 on the UH3233.
4. Connect a second HDMI cable from the monitor to the HDMI Port 2 on the UH3233.
5. Power on the laptop and monitors.



Specifications

Function		UH3233	
Computer Connections		1	
Connectors			
Computer		1 x USB-C Female (Black)	
Device		1 x USB 3.1 Gen 1 Type A Female (Blue)	
Video Output		2 x HDMI Female (Black)	
LEDs			
Power		1 (Blue/Orange)	
Video Resolution	Single View ¹	HDMI	3840 x 2160 @ 30 Hz
	Dual View ²	HDMI	1920 x 1200 @ 60 Hz
		HDMI	1920 x 1200 @ 60 Hz
¹ For video output to work through a USB-C port, it must support DP Alt Mode. ² For Dual-View to work, the computer's onboard graphics module or video source requires DisplayPort 1.2 with MST+HBR compatibility to support video output under extended mode. Mac computers do not include MST technology and will therefore not support Dual-View mode.			
Power			
Consumption		DC 5V, 15W	
Package Contents		1 x 1m USB-C Cable	
Environmental			
Operating Temperature		0–40° C	
Storage Temperature		-20–60° C	
Humidity		0–80% RH, Non-condensing	
Physical Properties			
Housing		Plastic	
Weight		0.10 kg	
Dimensions (L x W x H)		9.37 x 9.30 x 2.68 cm	

Limited Warranty

ATEN warrants its hardware in the country of purchase against flaws in materials and workmanship for a Warranty Period of two [2] years (warranty period may vary in certain regions/countries) commencing on the date of original purchase. This warranty period includes the [LCD panel of ATEN LCD KVM switches](#). Select products are warranted for an additional year (see [A+ Warranty](#) for further details). Cables and accessories are not covered by the Standard Warranty.

What is covered by the Limited Hardware Warranty

ATEN will provide a repair service, without charge, during the Warranty Period. If a product is defective, ATEN will, at its discretion, have the option to (1) repair said product with new or repaired components, or (2) replace the entire product with an identical product or with a similar product which fulfills the same function as the defective product. Replaced products assume the warranty of the original product for the remaining period or a period of 90 days, whichever is longer. When the products or components are replaced, the replacing articles shall become customer property and the replaced articles shall become the property of ATEN.

To learn more about our warranty policies, please visit our website:

<http://www.aten.com/global/en/legal/policies/warranty-policy/>